

Automatic Transfer Switch Option Peak Shave

Introduction

Peak Shave, (PS) provides an input to the transfer switch. The input is a two-wire connection on the Main Control Board and is marked "PS". It is pre-wired to the customer connection terminal blocks.

This option, when the input is active, will force the transfer switch onto the emergency source. If the emergency source is not available, the transfer switch will return to the normal source.

As long as the PS input is active, the transfer switch will attempt to transfer to the emergency source. If that source is not available, it will return to the normal source.

Once that input has been removed, automatic operations will resume.

Product Features

- Terminal Block Connection Point for Customer Wiring

Operation Instructions

Microprocessor Controls, PS

The customer must wire in a normally open contact that they will close when PS operation is required.

See Figure 1 for customer wiring terminals. The input to the Main Control Board is already pre-wired by Lake Shore Electric to terminal blocks 035 and 024.

When the customer contact has been closed, the ATS will attempt to transfer to emergency power. If emergency power is not available, the ATS will return to normal power.

When automatic operation is required, remove the PS input from the ATS and automatic operation will resume.

Electromechanical Controls, 43

This feature will override the operation of a remote or local test switch that has been used to force the ATS to the Emergency position. If the emergency power fails, the ATS will automatically retransfer to the normal power if it is available.

Please consult the factory to discuss the requirements for adding this feature.

Applications

Typical uses of the peak save function are, for example, money saving applications. During peak hours of the day, when the Utility cost are at their highest, the facility will transfer their load to emergency power.

However, the facility can ill afford losing power. Therefore, if emergency power is unavailable for any reason, the ATS will return facility power to the normal (utility) power source until emergency power is available.

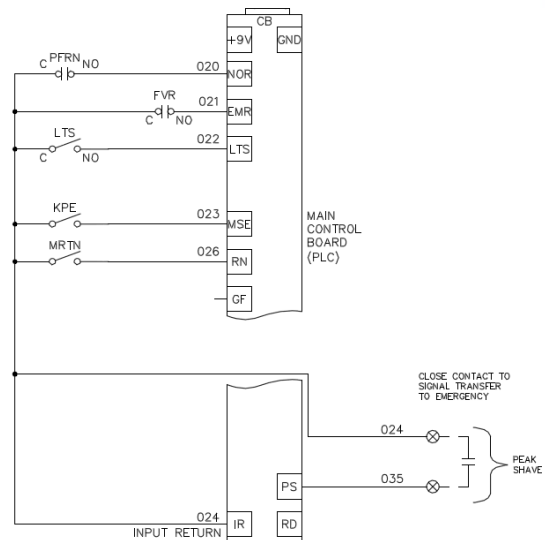


Figure 1

Order Guide

Part Number Examples:

- ICFA32000BPSB/LDI - Insulated Case ATS, 3 pole, 2000 Amp, 120/208Vac, **24Vdc Microprocessor Controls**, 65kAIC @ 480Vac, NEMA 1 Free Standing Enclosure with Option LDI.
- MCDA30400CESA/43 - Molded Case ATS, 3 pole, 400 Amp, 277/480Vac, **Electromechanical Controls**, 35kAIC @ 480Vac, NEMA 1 Wall Mount Enclosure with Option 43.