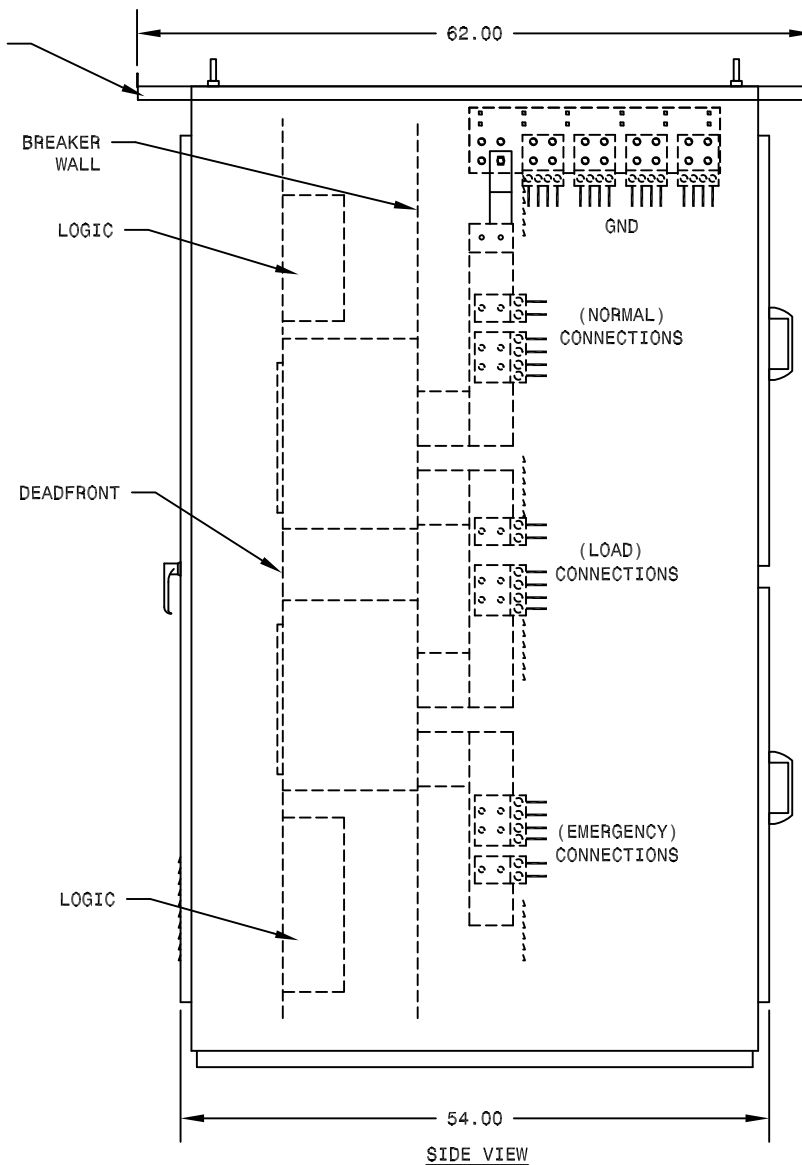
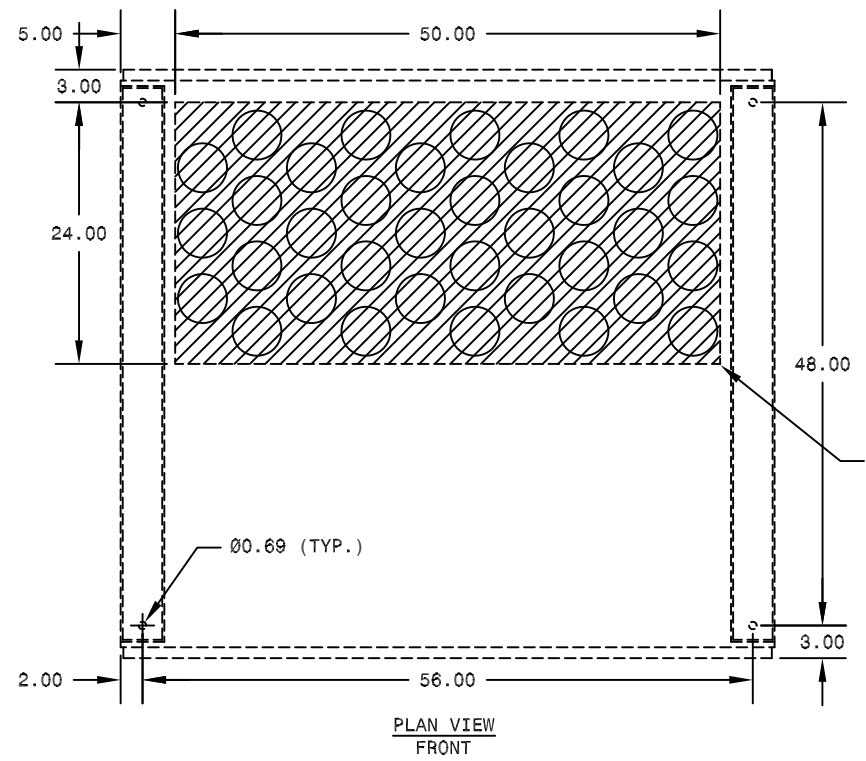


FRONT VIEW



SIDE VIEW



PLAN VIEW FRONT

OUTLINE NOTES

- 1) GENERAL ENCLOSURE CONSTRUCTION:
 - A) FREESTANDING ENCLOSURE NEMA 3R
 - B) FABRICATED FROM 14 GA. STEEL
 - C) PAINTED ANSI-61 LIGHT GRAY
 - D) HINGED FRONT DOOR
 - E) PADLOCKABLE
 - F) REMOVABLE REAR & BOTTOM COVERS
 - G) FRONT & REAR ACCESS REQUIRED
 - H) ALL DIMENSIONS EXPRESSED IN INCHES
 - I) GASKETED DOOR & COVERS
 - J) SYSTEM MUST HAVE ALL DOORS & COVERS INSTALLED FOR PROPER OPERATION
- 2) LUGS:
 - (12) #2-600MCM PER PHASE & NEUTRAL
 - (16) #6-350MCM GROUND
- 3) ROOF WITH OVERHANG

REV	DESCRIPTION	BY	APV	DATE
-	-	-	-	-
-	-	-	-	-
-	-	-	-	-
 LAKE SHORE ELECTRIC Corp BEDFORD, OHIO U.S.A.				
ICFA4400XXXX 277/480VAC 3Ø 4P 4W 4000 AMP				
SCALE: 1=12 DRN: CC 10/10/18 CHK: - - APV: - -				
<small>THIS DOCUMENT IS THE PROPERTY OF Lake Shore Electric Corporation. UNDER COPYRIGHT LAW, DISTRIBUTION AND REPRODUCTION OF THIS DOCUMENT IN WHOLE OR IN PART IS PROHIBITED WITHOUT PRIOR WRITTEN PERMISSION FROM Lake Shore Electric Corporation.</small>				
PROJ: -				
CUSTOMER: -		DWG NUMBER: -		
-		XXX-XXXX-XX		
-		QUOTE/JOB#:	PG	OF
-			1	1