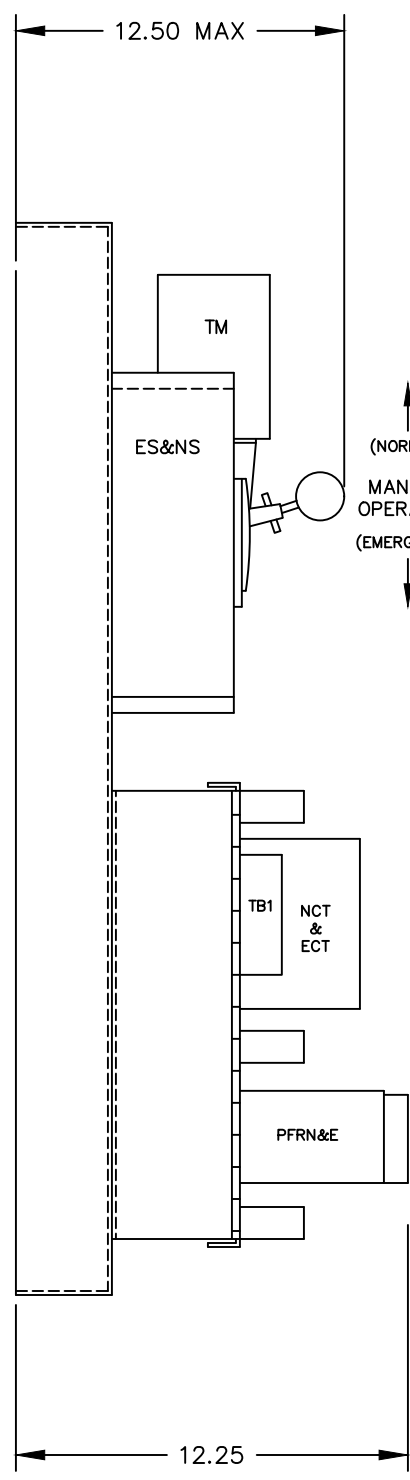
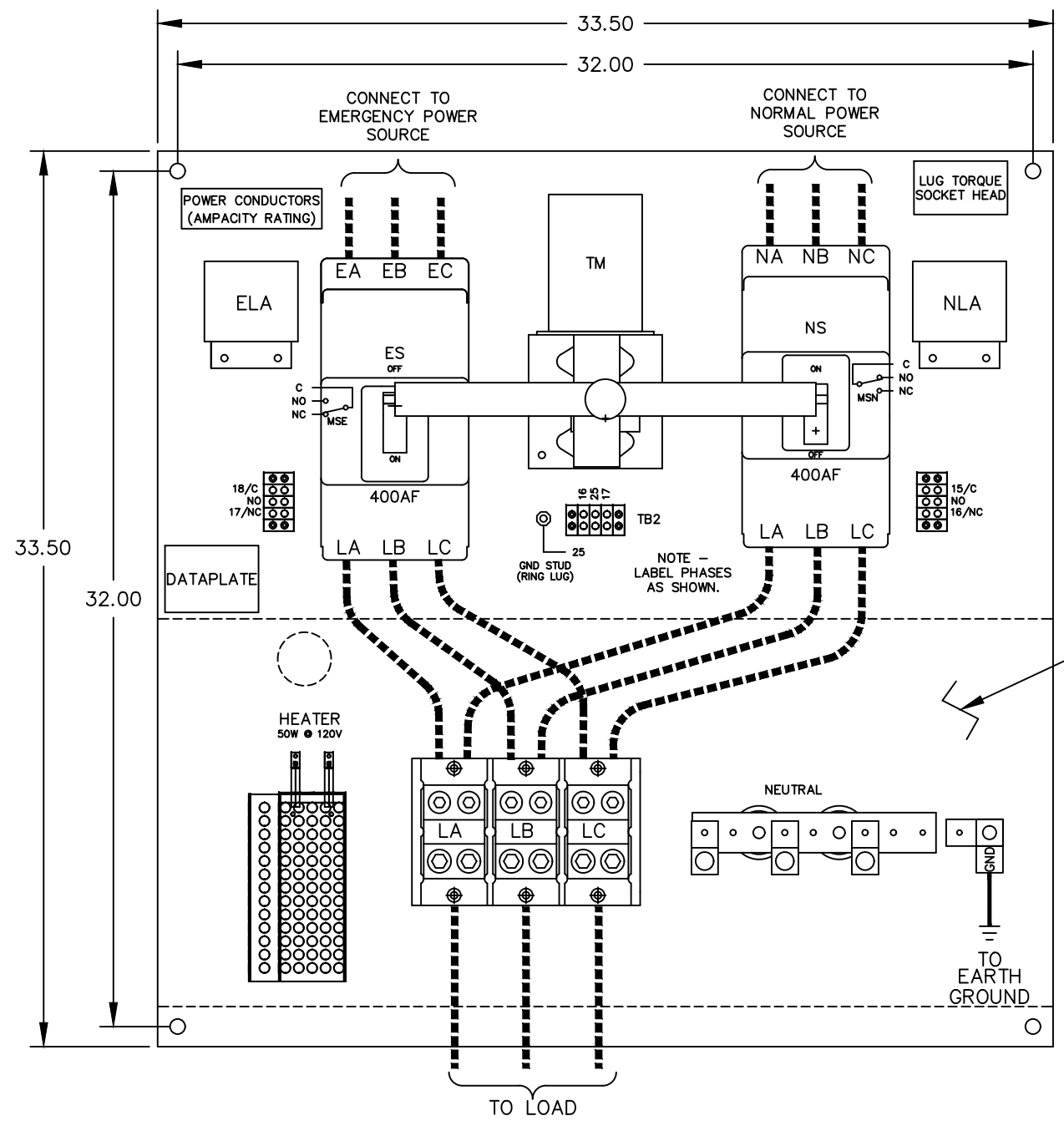


LUG/CONNECTION DATA:

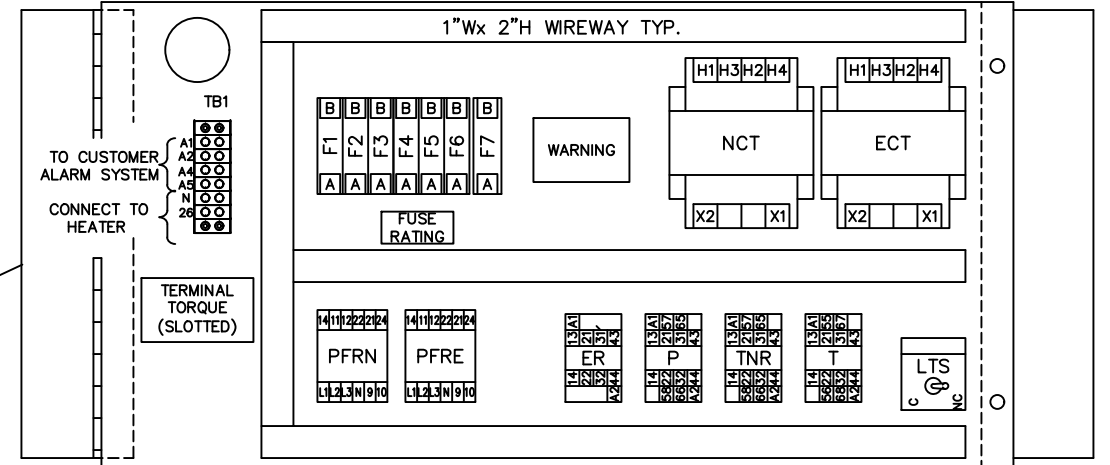
CURRENT RATING	STANDARD LUG	OPTIONAL LUG
A) 225A:	(1) 3/0-350MCM	(2) 3/0-250MCM
B) GROUND	(1) #14-1/0	



ATS SWITCH PANEL (SIDE VIEW)



ATS SWITCH PANEL (FRONT VIEW)



COMPONENT PANEL

REV	DESCRIPTION	BY	APV	DATE
-	-	-	-	-
-	-	-	-	-
-	-	-	-	-

**LAKE SHORE ELECTRIC Corp**  
BEDFORD, OHIO U.S.A.

FP&L - FPL230225GS - 225 AMP  
STYLE 2 3P 3Ø 4W 120/240V

SCALE: 1=6 | DRN: --- /--- /--- | CHK: --- /--- /--- | APV: --- /--- /---

THIS DOCUMENT IS THE PROPERTY OF Lake Shore Electric Corporation. UNDER COPYRIGHT LAW, DISTRIBUTION AND REPRODUCTION OF THIS DOCUMENT, IN WHOLE OR IN PART, IS PROHIBITED WITHOUT PRIOR WRITTEN PERMISSION FROM Lake Shore Electric Corporation.

PROJ: M & S NUMBER

CUSTOMER: FLORIDA POWER AND LIGHT COMPANY

DWG NUMBER: FPL230225GS-04-CH

QUOTE/JOB#: - | PG 1 OF 1