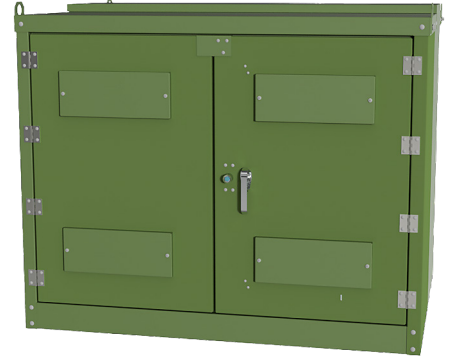


PMCD PRIMARY METERING CABINET WITH DEAD FRONT

Medium Voltage Metering Simplified

Lake Shore Electric's Primary Metering Cabinet with Dead Front (PMCD) is a ready-to-install solution that ensures seamless integration with utility systems. PMCDs are available in 5/15kV and 25kV configurations and feature a lockable pad mount outdoor-rated enclosure. Designed for flexibility, the instrument transformer compartment has provisions for mounting IEEE C12.11-type current transformers (CTs) and voltage transformers (VTs). The termination compartment includes a dead front barrier with 200A or 600A bushing wells and parking stands.



Standard Features

- Up to 25kV Class
- 200A and 600A Configurations
- Three Phase Configuration
- Bushing Wells with Parking Stands
- Bottom Cable Entry
- Pentahead Bolt Integral to Padlock Hasp
- Stainless Steel Hardware
- CT & VT Mounting Provisions
- A60 Galvanneal Pad Mount Enclosure
- 12 Pt. Terminal Block for Customer Interconnection
- Munsell 7GY 3.29/1.5 "Pad Mount Green" Powder Coat Finish



Customized Solutions

- 304-Stainless Steel Pad Mount Enclosure
- Anti-Condensation Coating
- Meter Socket and Test Switch Installation
- Factory Supplied & Installed Transformers

lseeenclosure.com/PMCD



Primary Metering Cabinet with Dead Front

Model Codes

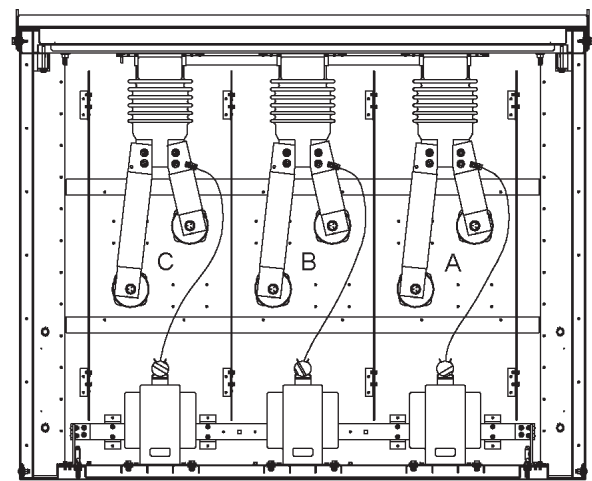
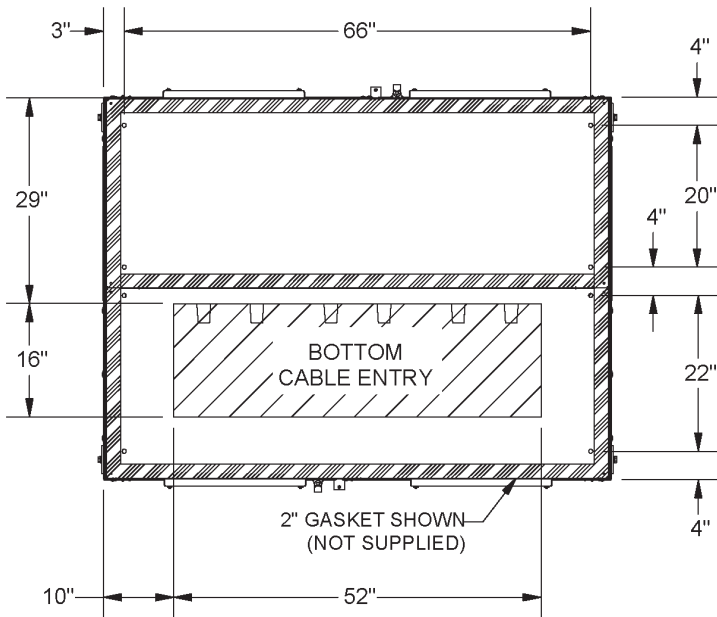
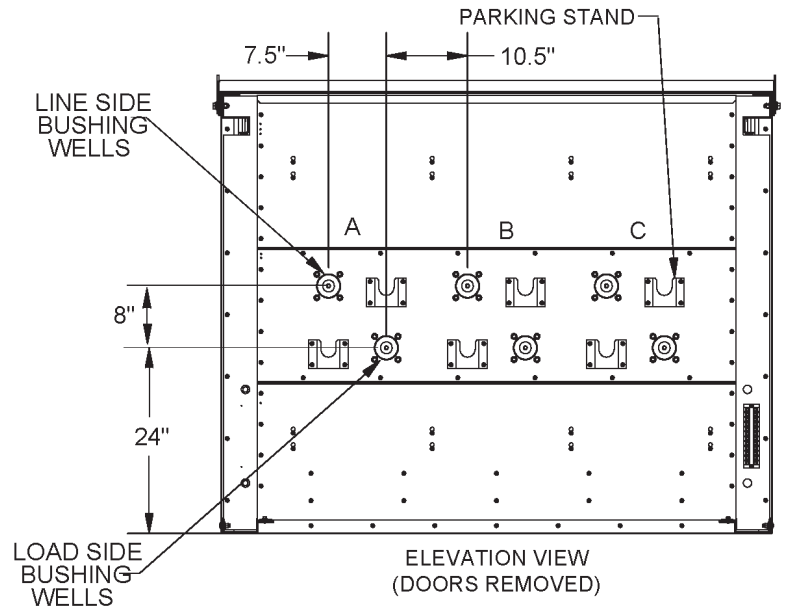
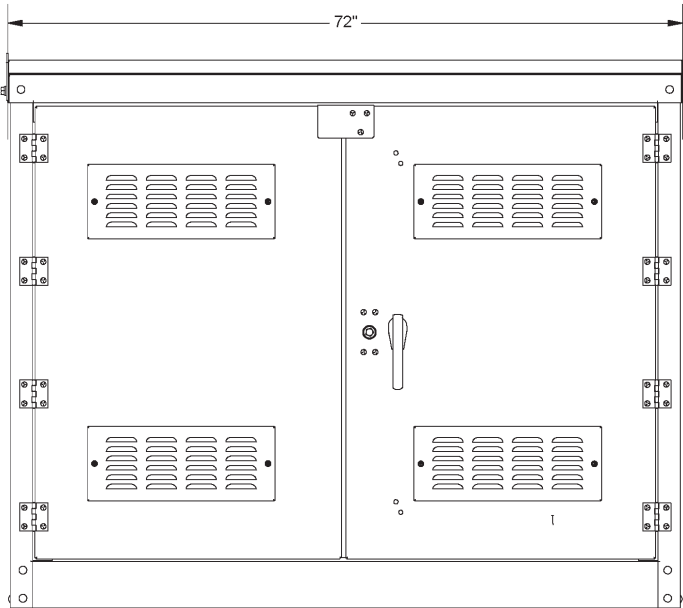
The below table lists the standard PMCD model codes and specifications. Please contact the factory to add any of the Customized Solutions listed on page 1.

Catalog Number	Phase	Amperage	Nominal Voltage	BIL Rating	Connections		Enclosure Material
					Input	Output	
PMCD-32-15-11-G	3	200	5/15kV	95kV BIL	1	1	A60 Galvanneal
PMCD-32-15-11-H							304-Stainless Steel
PMCD-32-15-12-G	3	200	5/15kV	95kV BIL	1	2	A60 Galvanneal
PMCD-32-15-12-H							304-Stainless Steel
PMCD-32-15-21-G	3	200	5/15kV	95kV BIL	2	1	A60 Galvanneal
PMCD-32-15-21-H							304-Stainless Steel
PMCD-32-15-22-G	3	200	5/15kV	95kV BIL	2	2	A60 Galvanneal
PMCD-32-15-22-H							304-Stainless Steel
PMCD-32-25-11-G	3	200	25kV	125kV BIL	1	1	A60 Galvanneal
PMCD-32-25-11-H							304-Stainless Steel
PMCD-32-25-12-G	3	200	25kV	125kV BIL	1	2	A60 Galvanneal
PMCD-32-25-12-H							304-Stainless Steel
PMCD-32-25-21-G	3	200	25kV	125kV BIL	2	1	A60 Galvanneal
PMCD-32-25-21-H							304-Stainless Steel
PMCD-32-25-22-G	3	200	25kV	125kV BIL	2	2	A60 Galvanneal
PMCD-32-25-22-H							304-Stainless Steel
PMCD-36-15-11-G	3	600	5/15kV	95kV BIL	1	1	A60 Galvanneal
PMCD-36-15-11-H							304-Stainless Steel
PMCD-36-15-12-G	3	600	5/15kV	95kV BIL	1	2	A60 Galvanneal
PMCD-36-15-12-H							304-Stainless Steel
PMCD-36-15-21-G	3	600	5/15kV	95kV BIL	2	1	A60 Galvanneal
PMCD-36-15-21-H							304-Stainless Steel
PMCD-36-15-22-G	3	600	5/15kV	95kV BIL	2	2	A60 Galvanneal
PMCD-36-15-22-H							304-Stainless Steel
PMCD-36-25-11-G	3	600	25kV	125kV BIL	1	1	304-Stainless Steel
PMCD-36-25-11-H							A60 Galvanneal
PMCD-36-25-12-G	3	600	25kV	125kV BIL	1	2	A60 Galvanneal
PMCD-36-25-12-H							304-Stainless Steel
PMCD-36-25-21-G	3	600	25kV	125kV BIL	2	1	304-Stainless Steel
PMCD-36-25-21-H							A60 Galvanneal
PMCD-36-25-22-G	3	600	25kV	125kV BIL	2	2	A60 Galvanneal
PMCD-36-25-22-H							304-Stainless Steel



Primary Metering Cabinet with Dead Front

Outline Drawings



REAR SECTION VIEW

CT's Provided By Others
Incidental Contact Barrier Not Shown

ENCLOSURE