

PMCL PRIMARY METERING CABINET WITH LIVE FRONT

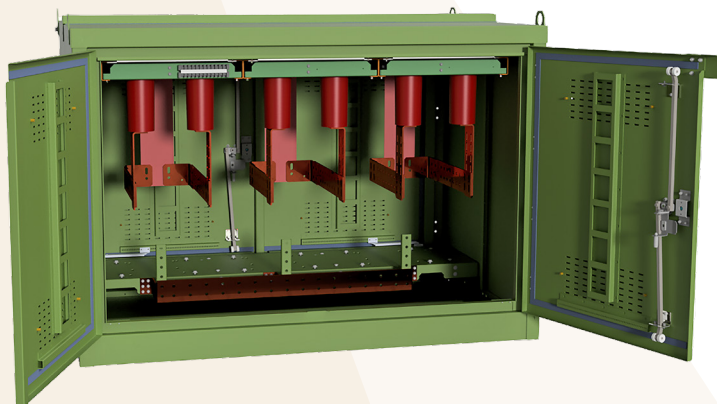
Medium Voltage Metering Simplified

Lake Shore Electric's Primary Metering Cabinet with Live Front (PMCL) is a ready-to-install solution that ensures seamless integration with utility systems. PMCL's are available in 15kV and 27kV configurations and feature a lockable pad mount outdoor-rated enclosure. Designed for flexibility, the instrument transformer compartment has provisions for mounting IEEE C12.11-type current transformers (CT's) and voltage transformers (VT's).



Standard Features

- Up to 27kV Class
- 200A, 600A, and 1200A Configurations
- Three Phase Configuration
- Bottom Cable Entry
- 12 Point Terminal Block
- Pentahead Bolt Integral to Padlock Hasp
- Stainless Steel Hardware
- CT & VT Mounting Provisions
- Galvanized Steel Pad Mounted Enclosure
- Munsell 7GY 3.29/1.5 "Pad Mount Green" Powder Coat Finish



Customized Solutions

- 304-Stainless Steel Pad Mount Enclosure
- Anti-Condensation Coating
- Meter Socket and Test Switch Installation
- Factory Supplied & Installed Transformers

lseeenclosure.com/PMCL

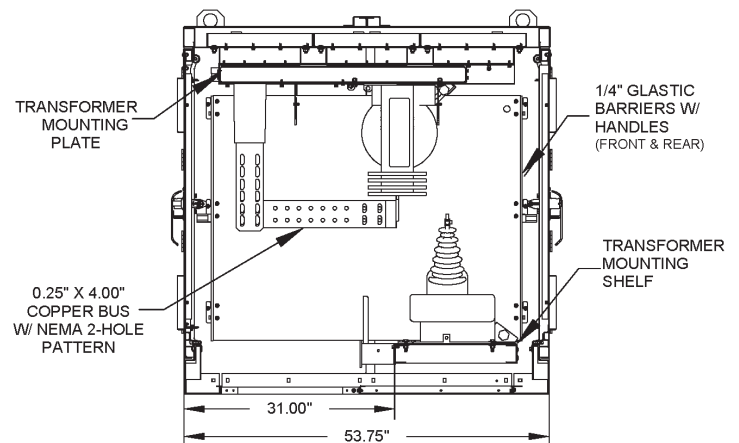
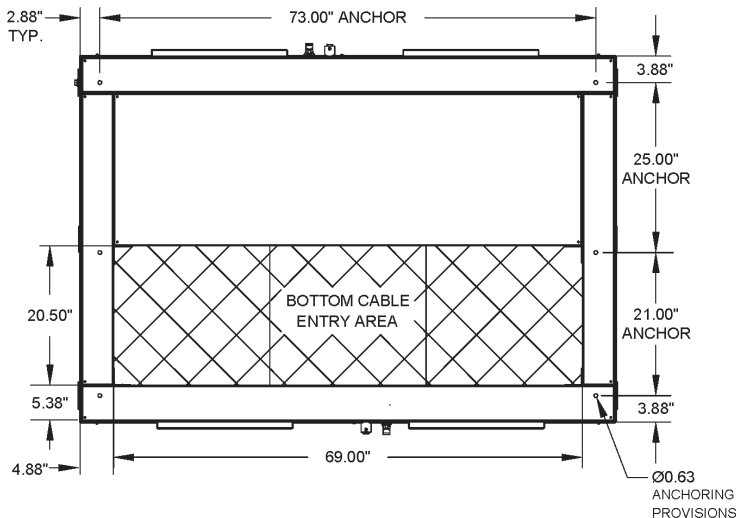
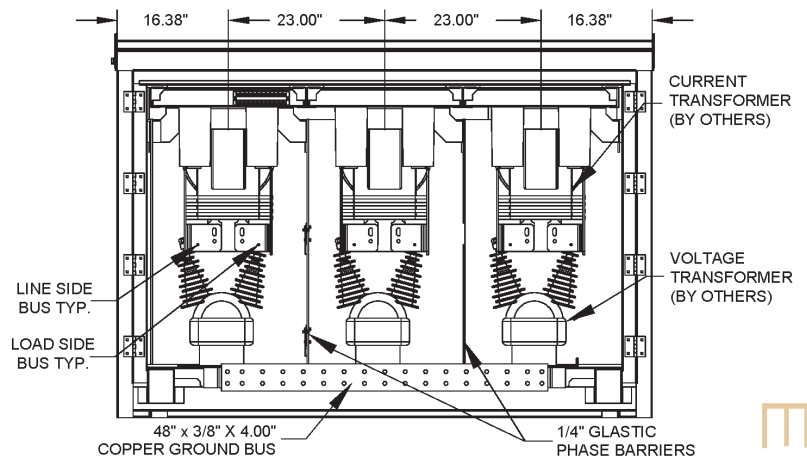
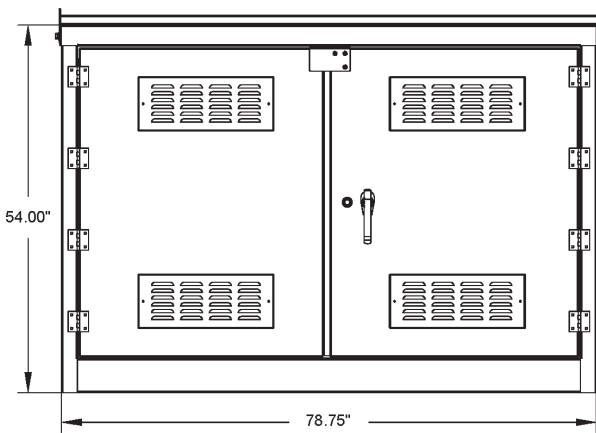


Primary Metering Cabinet with Live Front

Outline Drawings

The below table lists the standard PMCL model codes and specifications. Please contact the factory to add any of the Customized Solutions listed on page 1.

Catalog Number	Phase	Amperage	Voltage Class	Enclosure Material
PMCL-302-15-C	3	200	5/15kV	304-Stainless Steel
PMCL-302-15-E				A60 Galvanneal
PMCL-302-27-C	3	200	27kV	304-Stainless Steel
PMCL-302-27-E				A60 Galvanneal
PMCL-306-15-C	3	600	5/15kV	304-Stainless Steel
PMCL-306-15-E				A60 Galvanneal
PMCL-306-27-C	3	600	27kV	304-Stainless Steel
PMCL-306-27-E				A60 Galvanneal
PMCL-312-15-C	3	1200	5/15kV	304-Stainless Steel
PMCL-312-15-E				A60 Galvanneal
PMCL-312-27-C	3	1200	27kV	304-Stainless Steel
PMCL-312-27-E				A60 Galvanneal



ENCLOSURE