

# UTILITY TRANSFORMER METERING CABINET

**36x36x12 ENCLOSURE, 600VAC, TYPE 3R**

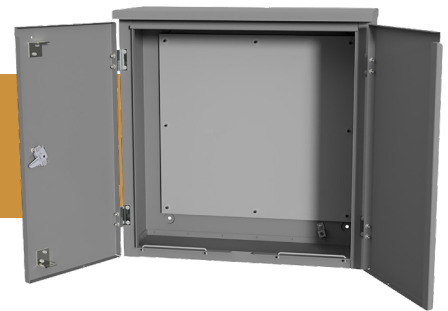
## APPLICATION

Lake Shore Electric's National Grid approved utility transformer metering enclosure offers Type 3R protection and includes an aluminum back plate for mounting utility-supplied current transformers.



### Industry Standard:

UL 414 Listed; Type 3R  
File No. E240038



## FEATURES

- Overlapping double-door with 3-point latch
- 316-Stainless steel lift-off hinges
- Stainless steel handle with padlock provisions
- Door stop
- Aluminum backplate
- Drip-shield top and seam-free sides and back
- Ground lug provided, #6-250MCM AWG, single conductor

## PRODUCT SPECIFICATION

Utility Co.	Installation	Electrical Specifications	Dimensions (H x W x D)	Lb	Lug Size
National Grid	Wall Mount	N/A	36 x 36 x 12	170	N/A

## UTMC MODEL CODES

Model	Finish	Enclosure Material
UTMC-HD-363612-USN-3B-NGU-00*	Mill Finish	Aluminum
UTMC-HD-363612-USN-3C-NGU-00*	#4 Brushed Finish	304 Stainless Steel
UTMC-HD-363612-USN-3D-NGU-00*	#4 Brushed Finish	316 Stainless Steel
UTMC-HD-363612-USN-3E-NGU-00	Gray Polyester Powder Coat	A60 Galvanneal

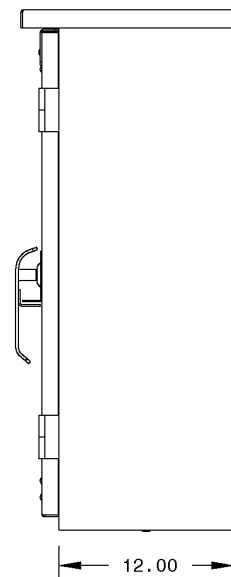
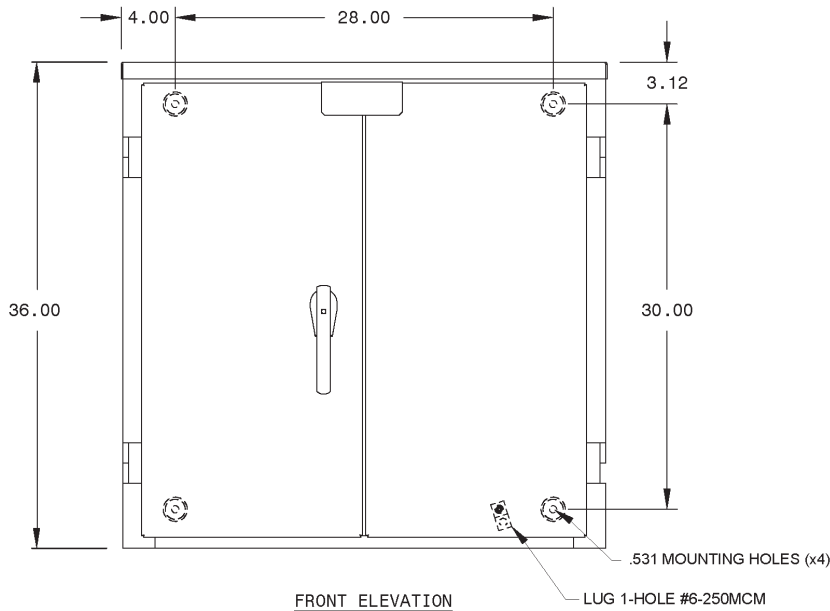
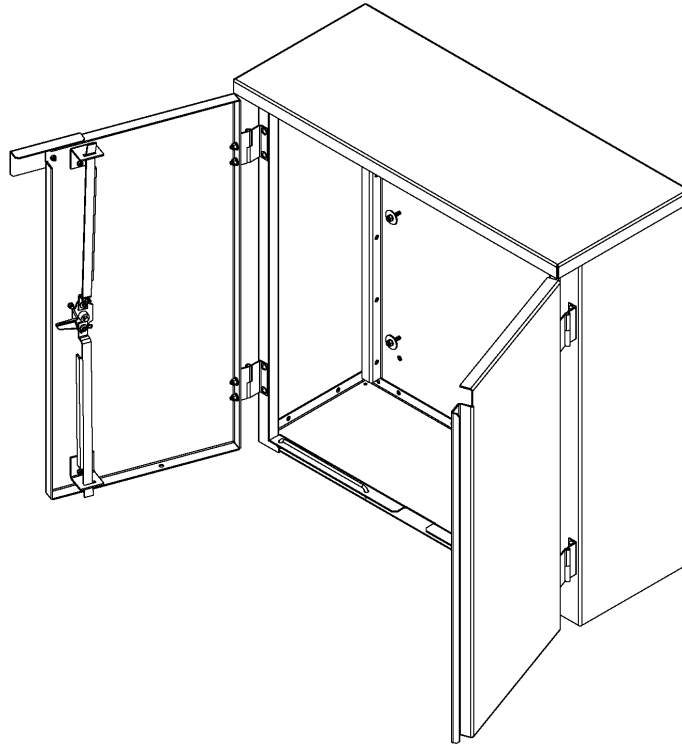
## LEG KITS

Model	Finish	Leg Kit Material
UTMC-LK-363612-3C	#4 Brushed Finish	304 Stainless Steel
UTMC-LK-363612-3D	#4 Brushed Finish	316 Stainless Steel
UTMC-LK-363612-3E	Gray Polyester Powder Coat	A60 Galvanneal

[lseenclosure.com/utmc](https://lseenclosure.com/utmc)

# UTILITY TRANSFORMER METERING CABINET

## 36x36x12 ENCLOSURE, 600VAC, TYPE 3R



[lseenclosure.com/utmc](http://lseenclosure.com/utmc)