



## Connect:

### QCC

Quick Connect Cabinet

0–480VAC, 150A–4000A, up to 100kAIC  
Specification Sheet & Selection Guide

# Table of Contents

---



QCC Overview	
General Description.....	2
QCC Selection Guide	
Characters & Designations.....	3
Model Code and Accessory Configuration.....	4
Weights & Dimensions	
400A - 4000A .....	5
Drawings	
400A - 1200A .....	7
1600A - 4000A .....	8

# QCC Overview

## General Description

---



Lake Shore Electric's QCC (Quick Connect Cabinet) provides a permanent point of connection to the facility's building load for a portable generator.

Standard Configuration Includes:

- Color-Coded Camlock Receptacles for Temporary Connections
- NEMA 3R Enclosure
- 2-Wire Start Binding Post

Optional accessories are also available. See the QCC Selection Guide on page 3 for additional details.

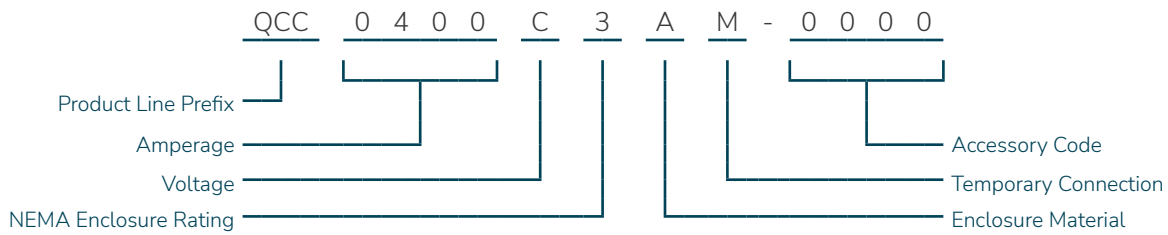
# QCC Selection Guide

## Characters & Designations



The QCC product line has a structured, smart-style model code ordering system. The complete model code is built up of 15 customer selected characters. Each character identifies a feature or function of the design. The first eleven characters of the model code define the basic configuration, followed by four characters that identify any accessories.

Sample Model Code:



# QCC Selection Guide

## Model Code Configuration



### Amperage

Standard sizes of the QCC are available in 400A increments through 4000A. Contact the factory for alternate amperages.

Table 1: Amperage Codes

Amps	Alpha Numeric
400A	0400
800A	0800
1200A	1200
1600A	1600
2000A	2000
3200A	3200
4000A	4000

### Voltage

Identification of the voltage determines the color of camlock receptacles (per NEC standard), as well as control voltage circuits and service entrance requirements (when applicable).

Table 2: Voltage Codes

Voltage	Phase/Wire	Alpha Numeric
120/240VAC	1 Ph 3W	A
208Y/120VAC	3 Ph 4W	B
480Y/277VAC	3 Ph 4W	C
120/240VAC	3 Ph 4W	G
480VAC	3 Ph 3W	K

### NEMA Enclosure Rating

The QCC is built with a minimum enclosure rating of NEMA 3R. Additional ratings are listed below.

Table 3: NEMA Code

Environmental Rating	Alpha Numeric
NEMA 3R	3

### Enclosure Material

The standard enclosure material of the QCC is hot rolled steel with a textured ANSI 61 gray powder coat finish. Additional materials are listed below.

Table 4: Enclosure Code

Material	Alpha Numeric
Hot Rolled Steel – ANSI 61 Gray Powder Coat	A
Stainless Steel – 304 (#4 Brushed Finish)	C
Stainless Steel – 316 (#4 Brushed Finish)	D

### Camlock Connection Style

The selection of the camlock style allows for the QCC to be configured with female or male 400A single pole UL 1691 listed receptacles.

Table 5: Camlock Style Code

Connection Type	Ampacity	Alpha Numeric
Female	400A	F
Male	400A	M

# QCC Selection Guide

## Model Code Configuration



### Accessory Code Position 1

The first position of the four-digit accessory code is reserved for future expansion to the QCC product line with 0 being the only available character at this time.

Table 6: Accessory Code 1

Description	Alpha Numeric
No Option (For Future Use)	0

### Accessory Code Position 2

The second position of the four-digit accessory code offers a Phase Rotation Monitor.

- Phase Rotation Monitor uses a blue indicator light for confirmation of proper phasing when connecting a temporary power source.

Table 7: Accessory Code 2

Description	Alpha Numeric
No Option	0
Phase Rotation Monitor	2

### Accessory Code Position 3

The third position of the four-digit accessory code provides the option to add a Kirk Key on the camlock access door.

- Kirk Key on the camlock door consists of a mounting plate and cylinder. The Kirk serial number will be provided at the time of shipment.

Table 8: Accessory Code 3

Description	Alpha Numeric
No Option	0
Kirk Key on Door	2

### Accessory Code Position 4

The fourth position of the four-digit accessory code is reserved for future expansion to the QCC product line with 0 being the only available character at this time.

Table 9: Accessory Code 4

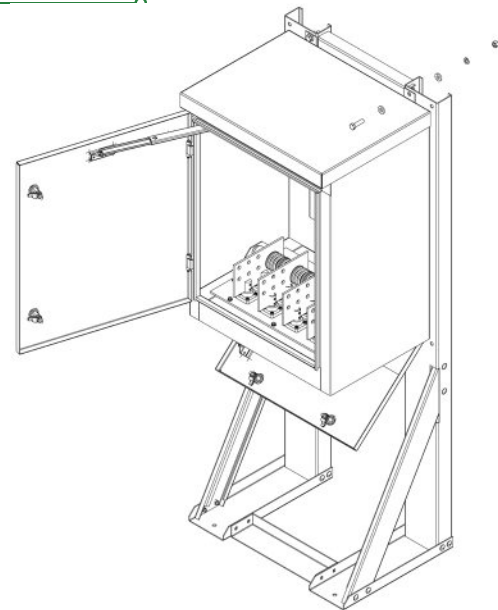
Description	Alpha Numeric
No Option	0

## Optional Leg Kit

A leg kit is available for QCC wall mount enclosures, which allows the unit to become free-standing. This kit is sold separately and can be purchased by using the part number below that corresponds to the enclosure material of the QCM.

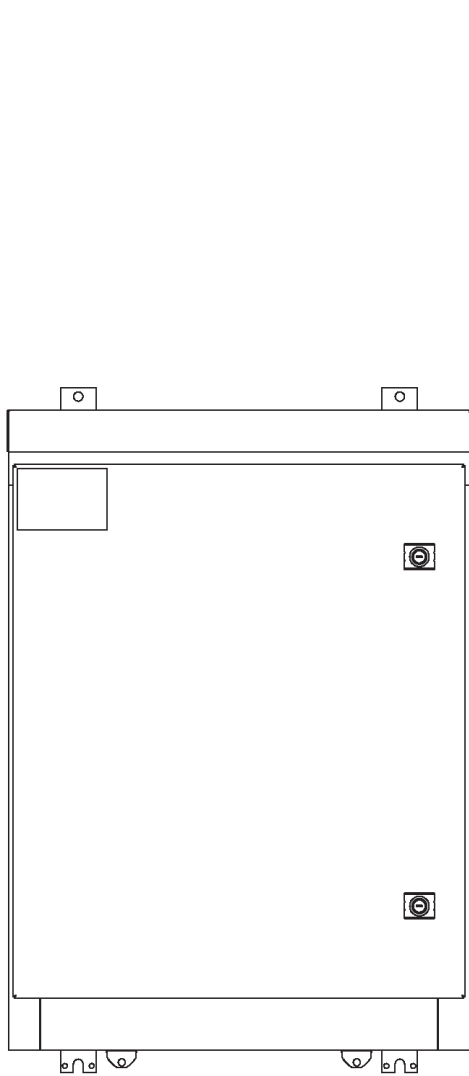
Table 10: Leg Kit

Description	Part Number
Hot Rolled Steel – ANSI 61 Gray Powder Coat	QC-LK-362618-3A
Stainless Steel – 304 (#4 Brushed Finish)	QC-LK-362618-3C
Stainless Steel – 316 (#4 Brushed Finish)	QC-LK-362618-3D

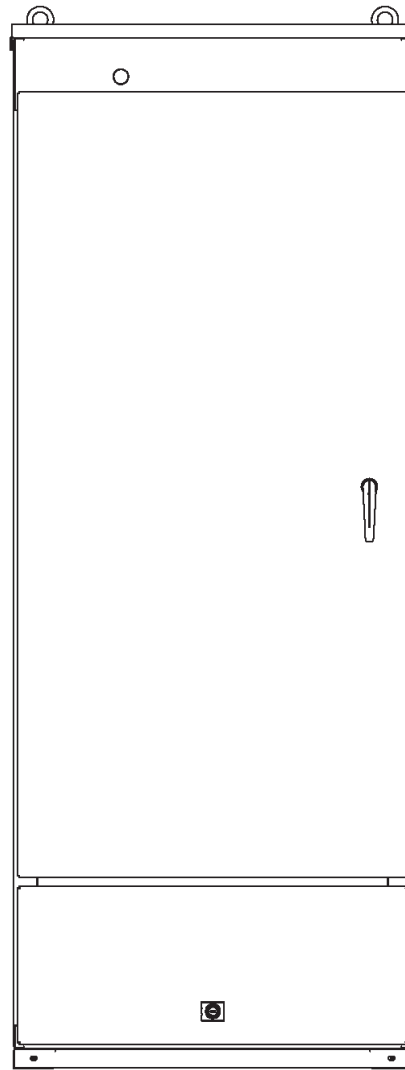


# Weights & Dimensions

400A - 4000A



400A - 1200A



1600A - 4000A

Table 11: Weights & Dimensions <sup>1</sup>

Ampacity	400 - 1200 (Wall Mount Only)	1600 - 4000 (Pad Mount Only)
Height	38"	79"
Width	26"	30"
Depth	20"	35"
Approximate Weight	250 lbs	600 lbs.
Drawing Number <sup>1</sup>	QCC1200-M001	QCC4000-M001

<sup>1</sup> Weights and dimensions are not for construction. Please refer to drawing for complete information

# Contact Us

---

Lake Shore Electric, LLC.  
5 Hemisphere Way  
Bedford, OH 44146

Phone: 440.232.0200

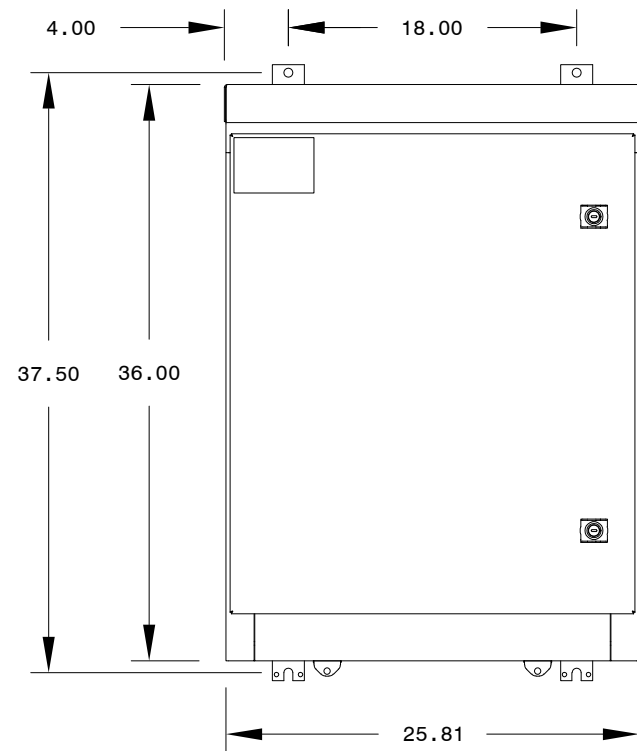
E-Mail: [Sales@lake-shore-electric.com](mailto:Sales@lake-shore-electric.com)

[www.lseconnect.com/qcc](http://www.lseconnect.com/qcc)

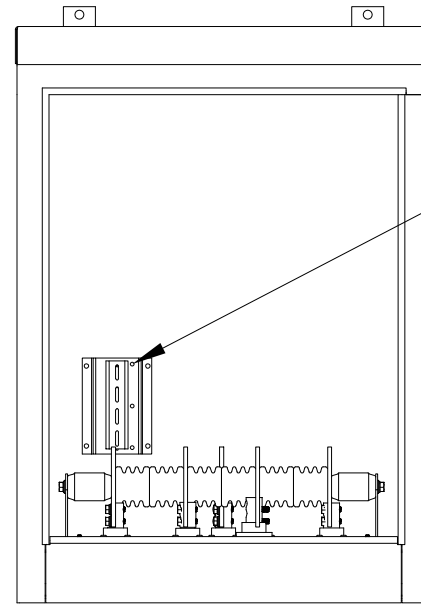
The information contained in this document is for general information purposes only. While Lake Shore Electric strives to keep the information up to date and correct, it makes no representations or warranties of any kind, express or implied, about the completeness, accuracy, reliability, suitability, or availability with respect to the information, products, services, or related graphics contained in the document for any purpose. Any reliance placed on such information is therefore strictly at your own risk. Lake Shore Electric reserves the right to discontinue any product or service at any time.







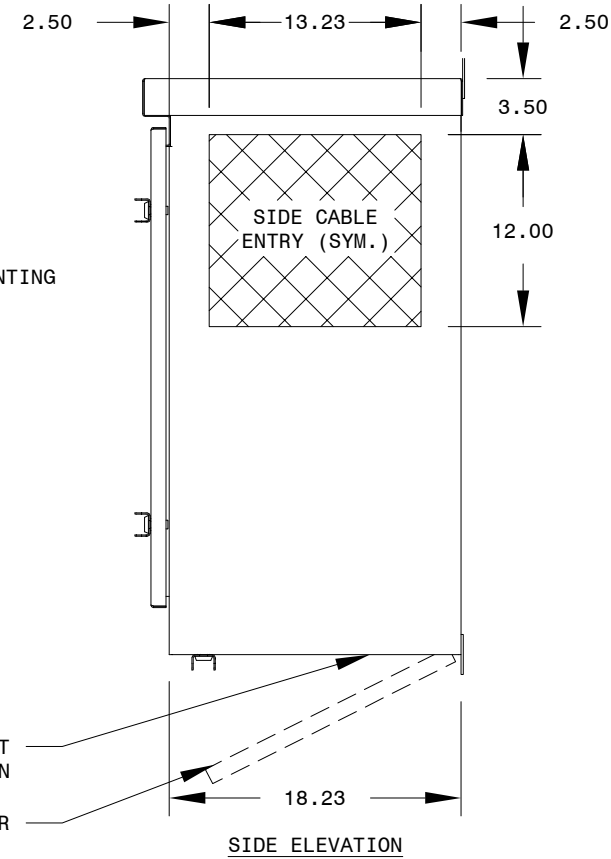
FRONT ELEVATION



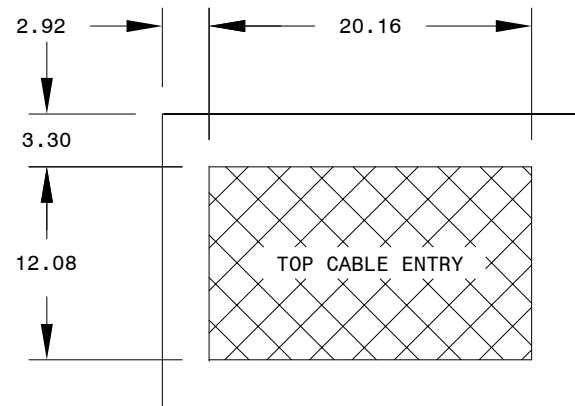
DIN RAIL MOUNTING

2-WIRE START  
APPROXIMATE LOCATION

CAMLOCK ACCESS DOOR



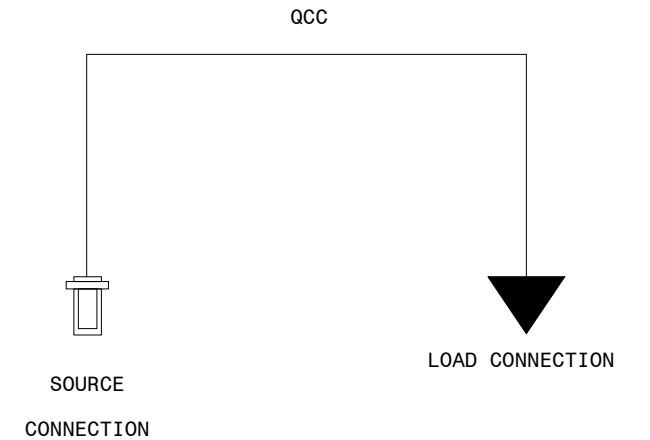
SIDE ELEVATION



PLAN VIEW  
FRONT

OUTLINE NOTES:

- 1) ENCLOSURE CONSTRUCTION: NEMA 3R
- 2) WALL MOUNT
- 3) CABLE ENTRY LOCATION: TOP AND SIDE
- 4) DOOR INFORMATION:  
MAIN DOOR: LEFT HAND HINGED, PADLOCKABLE, GASKETED WITH TWO 1/4 TURN LATCHES  
CAM-LOCK ACCESS: BOTTOM HINGED, PADLOCKABLE, GASKETED WITH TWO 1/4 TURN LATCHES
- 5) CAMLOCKS  
COLOR AND ARRANGEMENT PER NATIONAL ELECTRIC CODE (NEC)  
MANUFACTURER & SERIES: CROUSE-HINDS "J" SERIES E1016, 400A RATING, ALL AMPACITIES, OR EQUIVALENT
- 6) ALL DIMENSIONS EXPRESSED IN INCHES
- 7) ESTIMATED WEIGHT: 250LBS



CABLE TERMINATIONS		
AMPERAGE	TYPE	CONNECTION
400A	PHASE/NEUTRAL	NEMA 2 HOLE
	GND	
800A	PHASE/NEUTRAL	
	GND	
1200A	PHASE/NEUTRAL	
	GND	

TITLE: QUICK CONNECT CABINET  
QCC UP TO 1200

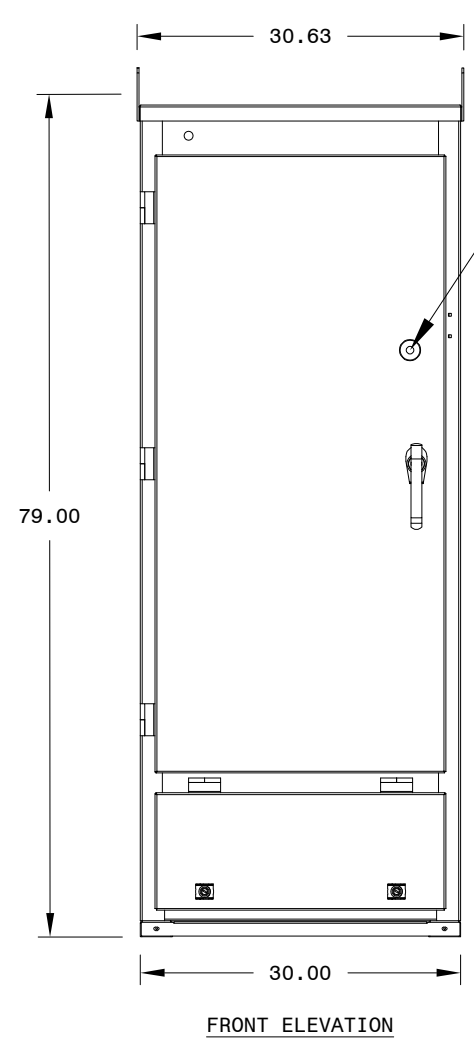
DWG NUMBER  
QCC1200-M001



SCALE: - CREATED BY: DGW APV: - REVISION: B

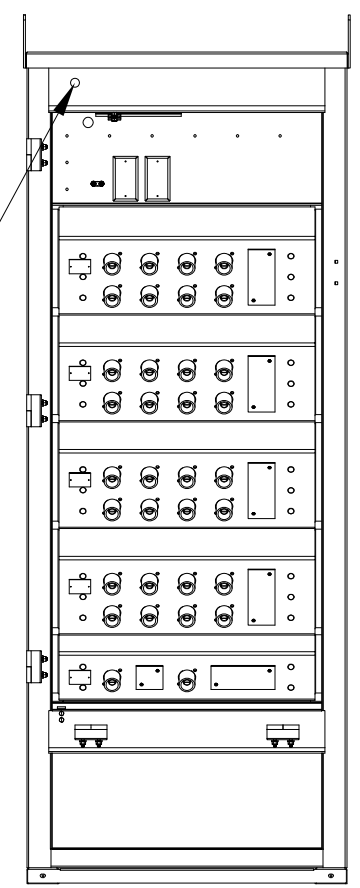
THIS DOCUMENT IS THE PROPERTY OF Lake Shore Electric LLC. UNDER COPYRIGHT LAW, DISTRIBUTION AND REPRODUCTION OF THIS DOCUMENT, IN WHOLE OR IN PART, IS PROHIBITED WITHOUT PRIOR WRITTEN PERMISSION FROM Lake Shore Electric LLC.

REV	DESCRIPTION	BY	APV	DATE
-	ORIGINAL ISSUE	DGW	-	05/04/22
A	UPDATED OUTLINE NOTES	DGW	-	01/25/23
B	DIN RAIL ADDED FOR TB	DGW	-	04/18/23
-	-	-	-	-
-	-	-	-	-
-	-	-	-	-
-	-	-	-	-

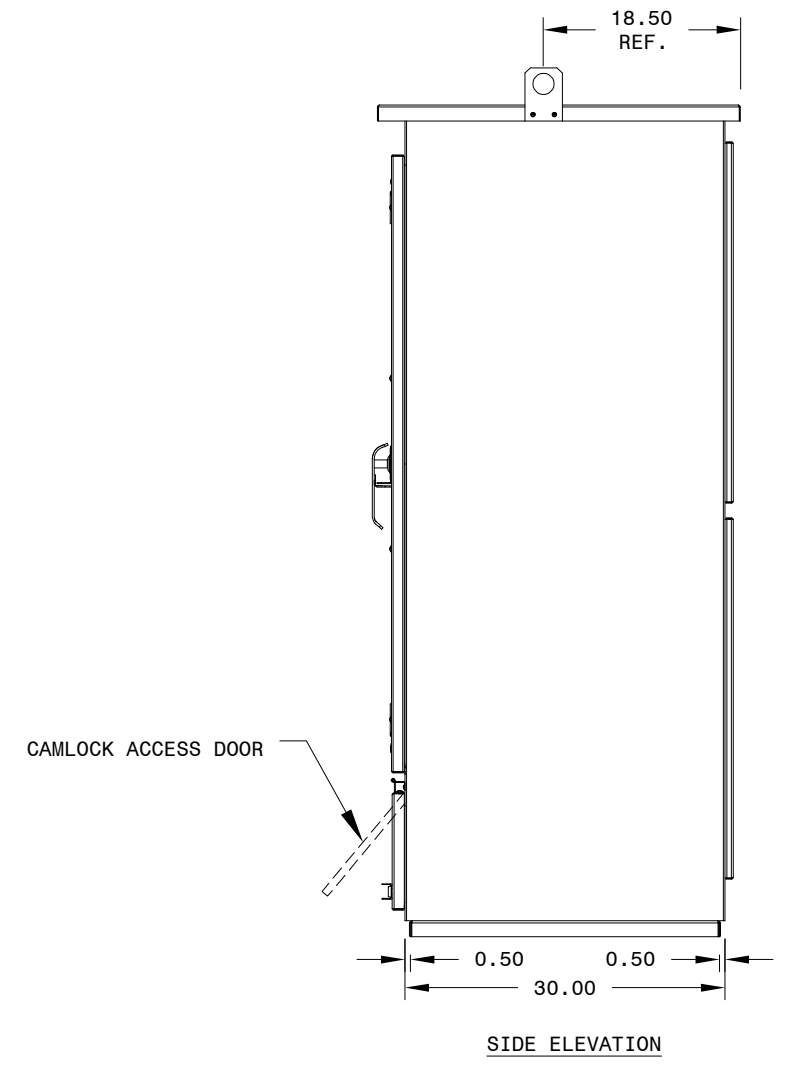


KIRK LOCK  
(ACCESSORY 3)  
  
PRM LIGHT  
(ACCESSORY 2)

FRONT ELEVATION

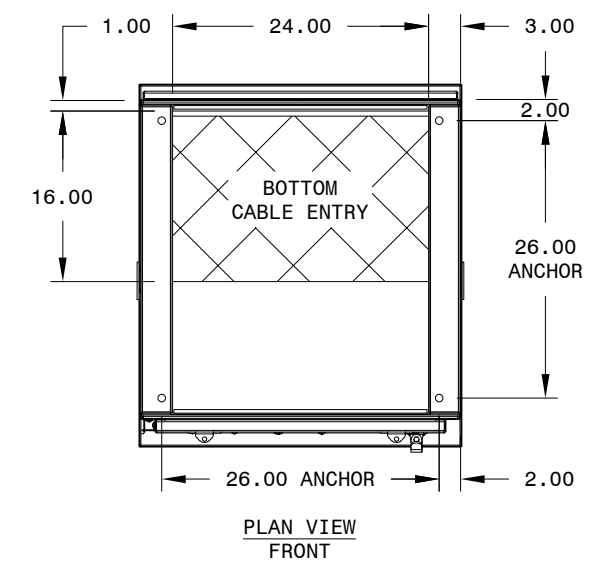


FRONT ELEVATION  
DOORS REMOVED



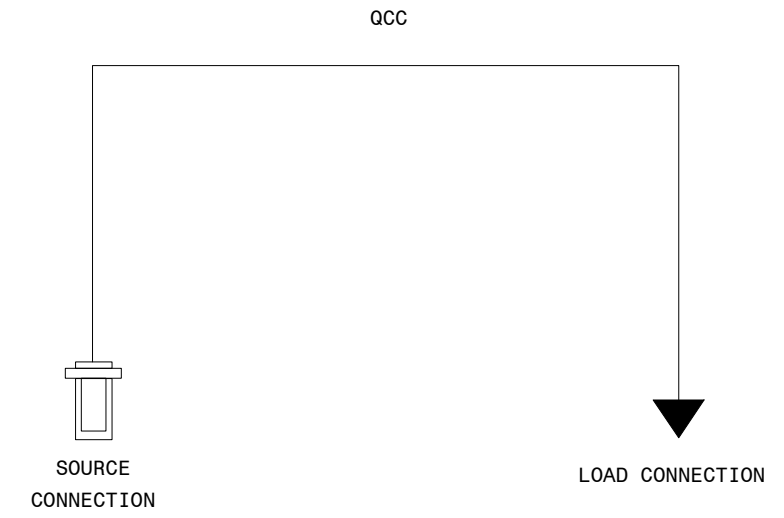
CAMLOCK ACCESS DOOR

SIDE ELEVATION



PLAN VIEW  
FRONT

- OUTLINE NOTES;
- 1) ENCLOSURE CONSTRUCTION: NEMA 3R
  - 2) FREESTANDING
  - 3) CABLE ENTRY LOCATION: BOTTOM
  - 4) DOOR INFORMATION:
    - MAIN DOOR: LEFT HAND HINGED, PADLOCKABLE, GASKETED WITH 3-POINT LATCHING
    - CAM-LOCK ACCESS: TOP HINGED, PADLOCKABLE, GASKETED WITH ONE 1/4 TURN LATCH
  - 5) ALL DIMENSIONS EXPRESSED IN INCHES
  - 6) CAMLOCKS
    - A) COLOR AND ARRANGEMENT PER NATIONAL ELECTRIC CODE (NEC)
    - B) MANUFACTURER & SERIES: CROUSE-HINDS "J" SERIES E1016, 400A RATING, ALL AMPACITIES, OR EQUIVALENT
  - 7) ESTIMATED WEIGHT: 600LBS



ENCLOSURE CONSTRUCTION		
STOCK CODE	NEMA RATING	MATERIAL
3A	NEMA 3R	HOT ROLLED STEEL-ANSI 61 GRAY POWDER COAT
3C	NEMA 3R	STAINLESS STEEL-304
3D	NEMA 3R	STAINLESS STEEL-316

CABLE TERMINATIONS		
AMPERAGE	TYPE	CONNECTION
1600	PHASE/NEUTRAL	NEMA 2 HOLE
	GND	
2000	PHASE/NEUTRAL	
	GND	
3200	PHASE/NEUTRAL	
	GND	
4000A	PHASE/NEUTRAL	
	GND	

REV	DESCRIPTION	BY	APV	DATE
-	ORIGINAL ISSUE	DGW	-	05/04/22
A	UPDATED OUTLINE NOTES	DGW	-	01/25/23
B	UPDATE ENCLOSURE TO NEW DESIGN	DGW	-	11/27/23
C	ADDED ACCESSORY AND ENCLOSURE CALLOUTS	DGW	-	04/04/24
-	-	-	-	-
-	-	-	-	-
-	-	-	-	-
-	-	-	-	-

TITLE: QUICK CONNECT CABINET  
QCC UP TO 4000

DWG NUMBER: QCC4000-M001

**LAKE SHORE ELECTRIC LLC**  
BEDFORD, OHIO U.S.A.

SCALE: -    CREATED BY: DGW    APV: -    REVISION: C

THIS DOCUMENT IS THE PROPERTY OF Lake Shore Electric LLC. UNDER COPYRIGHT LAW, DISTRIBUTION AND REPRODUCTION OF THIS DOCUMENT, IN WHOLE OR IN PART, IS PROHIBITED WITHOUT PRIOR WRITTEN PERMISSION FROM Lake Shore Electric LLC.

PG 1 OF 1