



Connect:

QC3

Quick Connect 3 Breaker

0–480VAC, 150A–4000A, up to 100kAIC
Specification Sheet & Selection Guide

Table of Contents



QC3 Overview	
General Description.....	2
Technical Data	
Molded Case & Insulated Case.....	3
QC3 Selection Guide	
Characters & Designations.....	4
Model Code Configuration.....	5
Accessory Code Configuration.....	6
Weights & Dimensions	
Molded Case (150A - 1200A).....	7
Insulated Case (1600A - 4000A).....	8
Connection Information	
Lug Size & Quantity.....	9
Drawings	
Molded Case (150A - 400A).....	11
Molded Case (800A - 1200A).....	12

QC3 Overview

General Description



Lake Shore Electric's QC3 (Quick Connect 3 Breaker) is an all-in-one solution for the coordination of a temporary alternate power source and load bank into an emergency system. All QC3 products are designed with a dedicated permanent generator breaker that is mechanically interlocked with a temporary generator breaker. A dedicated load bank breaker is also integrated on the line side of the permanent generator breaker to allow for isolated load bank testing, allowing the standard configuration of the QC3 to meet the intent of NEC 700.3(F).

NEC 700.3(F) 2017 States:

If the emergency system relies on a single alternate source of power, which will be disabled for maintenance or repair, the emergency system shall include permanent switching means to connect a portable or temporary alternate source of power, which shall be available for the duration of the maintenance or repair.

Standard Configuration Includes:

- Mechanically Interlocked UL 489 Breakers
- Color-Coded Camlock Receptacles for Temporary Connections
- NEMA 3R Enclosure
- Grounded Dead Front Covers
- Phase Rotation Monitor with Indicating Light
- Auxiliary Contact for Switch Position
- 2-Wire Start Binding Post
- 120VAC Shunt Trip¹
- NEMA 5-20R GFCI Receptacle²

Optional accessories are also available. See the QC3 Selection Guide on page 4 for additional details.

1 Control circuit provided by others
2 Power by others

Technical Data

Molded Case & Insulated Case



Table 1: QC3 Switching Device – Molded Case Technical Details

kAIC @ 480V	Rated Current (A)	Disconnect Breaker	
		2 Pole †	3 Pole
35	150	PDG22G0150TFF	PDG23G0150TFF
	400	PDG32G0400TFA	PDG33G0400TFA
50	800	PDG52K0800E2R	PDG53K0800E2R
	1200	PDG53K1200E4R	PDG53K1200E4R
65	150	PDG22M0150TFF	PDG23M0150TFF
	400	PDG32M0400TFA	PDG33M0400TFA
	800	PDG52M0800E2R	PDG53M0800E2R
	1200	PDG52M1200E4R	PDG53M1200E4R

Table 2: QC3 Switching Device – Insulated Case Technical Details

kAIC @ 480V	Rated Current (A)	Disconnect Breaker
		3 Pole
65	1600	MPS6163VEA162
	2000	MPS6203VEA202
	3200	MPS6323VEA322
100	1600	MPSC163VEA162
	2000	MPSC203VEA202
	3200	MPSC323VEA322
	4000	MPSC4N3VEA402

- Models 150A - 1200A are Eaton Power Defense Molded Case Breakers
- Models 1600A and above are Eaton® Magnum PXR® Low Voltage Power Circuit Breakers
- An electronic trip unit may be used in place of thermal-magnetic trip unit at LSE discretion
- † 3-pole variant with the center phase open may be used in place of a 2-pole at LSE discretion
- Arcflash Reduction Maintenance System™ (ARMS™) is included on all breakers 1200A and greater
- A higher withstand rating and/or frame rating may be used in place of a lesser rating at LSE discretion
- Contact factory for technical information on switching devices or withstand ratings not listed in Table 1 or Table 2
- Data subject to change without notice

QC3 Selection Guide

Model Code Configuration



Number of Poles

Following the QC3 prefix of the model code is the number of poles. Available in configurations of 2-pole and 3-pole, this selection is dependent on the system voltage.

Table 3: Number of Poles

Poles	Alpha Numeric
2	2
3	3

Amperage

With the exception of the 150A model, standard sizes of the QC3 are available in 400A increments through 4000A. Contact the factory for alternate amperages.

Table 4: Amperage Code

Amps	Alpha Numeric
150A	0150
400A	0400
800A	0800
1200A	1200
1600A	1600
2000A	2000
3200A	3200
4000A	4000

Voltage Code

Identification of the voltage determines the color of camlock receptacles (per NEC standard), as well as control voltage circuits and service entrance requirements (when applicable).

Table 5: Voltage Code

Voltage	Phase/Wire	Alpha Numeric
120/240VAC	1 Ph 3W	A
208Y/120VAC	3 Ph 4W	B
480Y/277VAC	3 Ph 4W	C
120/240VAC	3 Ph 4W	G
480VAC	3 Ph 3W	K

Withstand Rating

The below tables are based on UL 489 & 1066 Switching Device Ratings at 480VAC; Lower voltages offer higher kAIC ratings within the same alphanumeric code. Contact the factory for these ratings.

Table 6: Molded Case Withstand Code

Amperage	kAIC	Alpha Numeric
150A – 400A	35kAIC @ 480V	S
800A – 1200A	50kAIC @ 480V	S
150A – 1200A	65kAIC @480V	H

Table 7: Insulated Case Withstand Code

Amperage	kAIC	Alpha Numeric
1600A – 3200A	65kAIC @ 480V	S
4000A	100kAIC @ 480V	S
1600A – 3200A	100kAIC @480V	H

NEMA Enclosure Rating

The QC3 is built with a minimum enclosure rating of NEMA 3R. Additional ratings are listed below.

Table 8: NEMA Code

Environmental Rating	Alpha Numeric
NEMA 3R	3

Enclosure Material

The standard enclosure material of the QC3 is hot rolled steel with a textured ANSI 61 gray powder coat finish. Additional materials are listed below.

Table 9: Enclosure Code

Material	Alpha Numeric
Hot Rolled Steel – ANSI 61 Gray Powder Coat	A
Stainless Steel – 304 (#4 Brushed Finish)	C
Stainless Steel – 316 (#4 Brushed Finish)	D

Camlock Connection Style

The selection of the camlock style allows for the QC3 to be configured with female and male 400A single pole UL 1691 listed receptacles.

Table 10: Camlock Style Code

Connection Type	Ampacity	Alpha Numeric
Male & Female	400A	H

QC3 Selection Guide

Accessory Code Configuration



Accessory Code Position 1

The first position of the four-digit accessory code is reserved for future expansion to the QC3 product line with 0 being the only available character at this time.

Table 11: Accessory Code 1

Description	Alpha Numeric
No Option (For Future Use)	0

Accessory Code Position 2

The second position of the four-digit accessory code is reserved for future expansion to the QC3 product line with 0 being the only available character at this time.

Table 12: Accessory Code 2

Description	Alpha Numeric
No Option (For Future Use)	0

Accessory Code Position 3

The third position of the four-digit accessory code provides the options for Space Heaters.

- Space Heaters operate on 120VAC and may include a control power transformer when necessary. Over-current protection and an adjustable thermostat are also provided.

Table 13: Accessory Code 3

Description	Alpha Numeric
No Option	0
Space Heater	1

Accessory Code Position 4

The fourth position of the four-digit accessory code is reserved for future expansion to the QC3 product line with 0 being the only available character at this time.

Table 14: Accessory Code 4

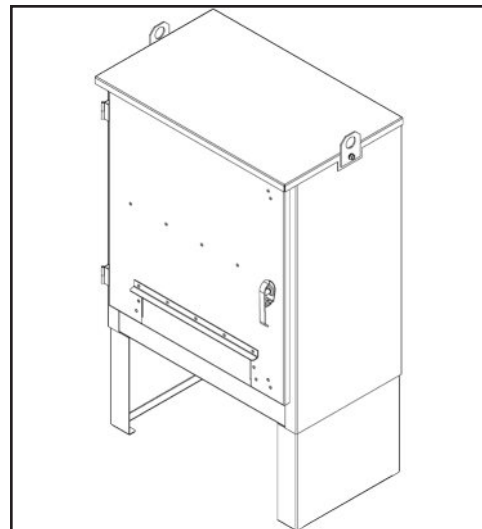
Description	Alpha Numeric
No Option	0

Optional Leg Kit

A leg kit is available for QC3 wall mount enclosures, which allows the unit to become free-standing. This kit is sold separately and can be purchased by using the part number below that corresponds to the enclosure material of the QC3.

Table 15: Leg Kit

Description	Part Number
Hot Rolled Steel – ANSI 61 Gray Powder Coat	QC-LK-474025-3A
Stainless Steel – 304 (#4 Brushed Finish)	QC-LK-474025-3C
Stainless Steel – 316 (#4 Brushed Finish)	QC-LK-474025-3D



Weights & Dimensions

Molded Case (150A - 1200A)

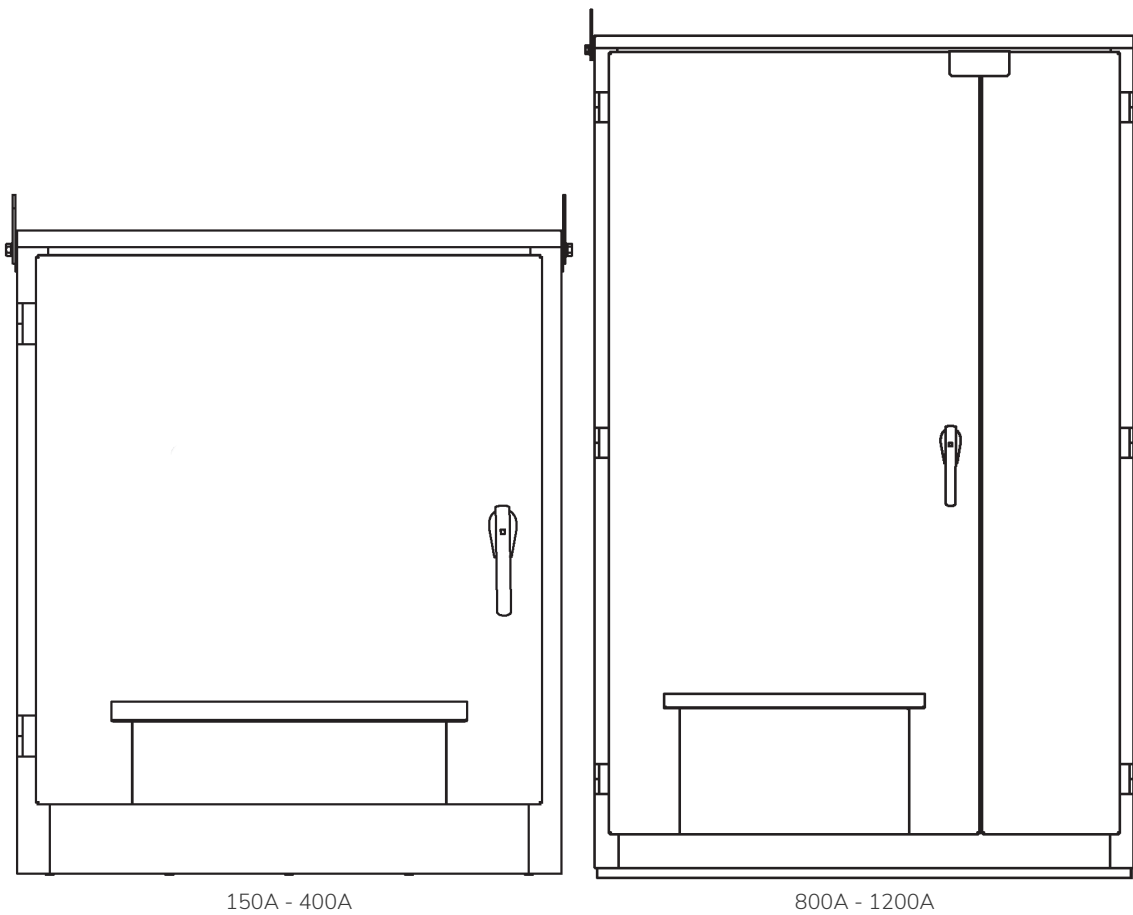


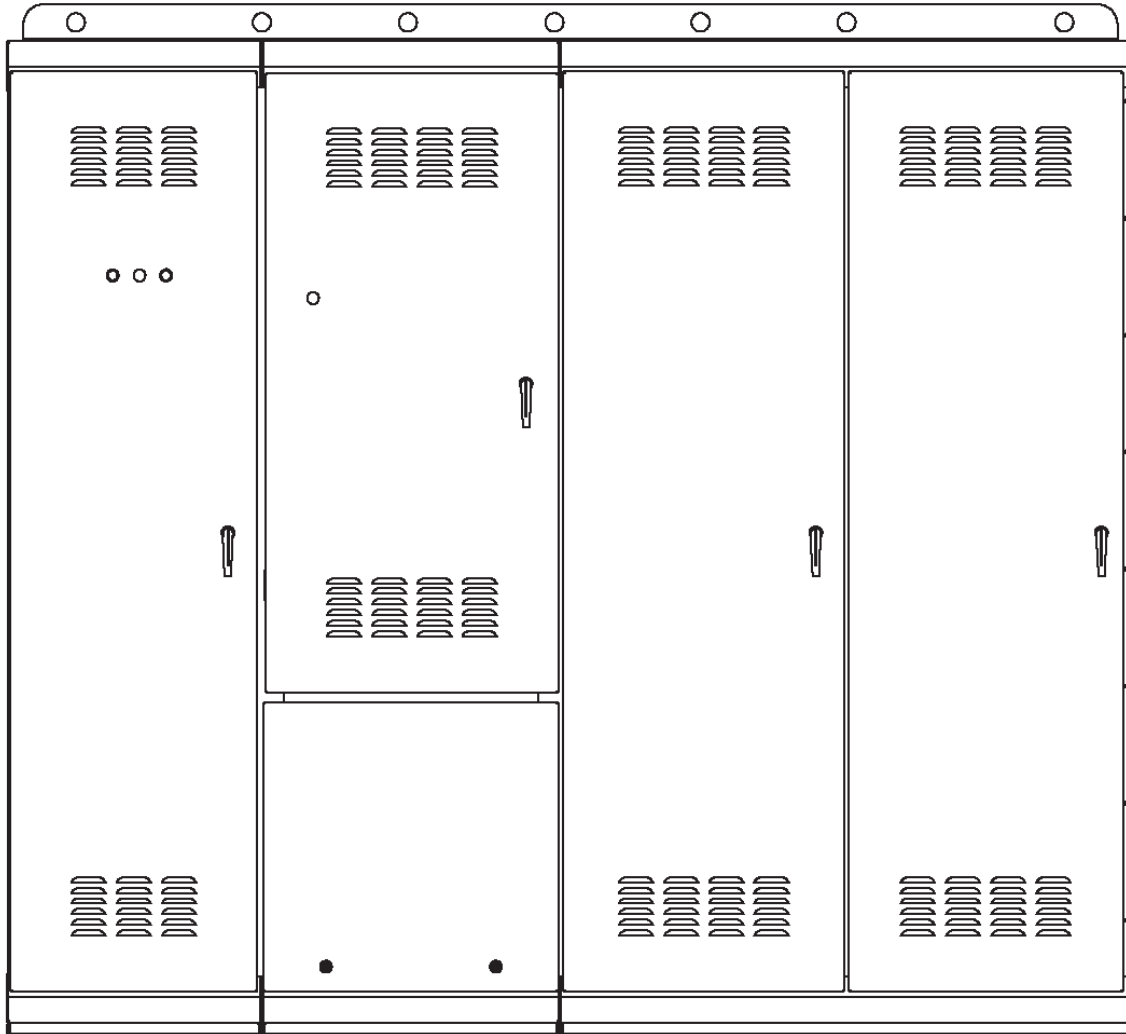
Table 16: Weights & Dimensions - Molded Case ¹

Ampacity	150 – 400 (Wall Mount Only)	800 – 1200 (Free Standing)
Height	47"	84"
Width	40"	54"
Depth	25"	25"
Approximate Weight	525 lbs	1300 lbs.
Drawing Number ¹	QC30204-M001	QC30812-M001

¹ Weights and dimensions are not for construction. Please refer to drawing for complete information

Weights & Dimensions

Insulated Case (1600 - 4000A)



1600A - 4000A

Table 17: Weights & Dimensions - Insulated Case ¹

Ampacity	1600 - 3200	4000
Height	Contact Factory	Contact Factory
Width		
Depth		
Approximate Weight		
Drawing Number ¹		

¹ Weights and dimensions are not for construction. Please refer to drawing for complete information

Connection Information

Lug Size & Quantity



Table 18: Permanent Cable Termination Data

Ampacity	Location	Standard Lugs: Qty. & Range	Ground
150A	Source 1	(1) #6 – 350MCM	(1) #14 – 1/0
	Load	(1) #6 – 350MCM	
	Neutral	(1) #6 – 350MCM	
400A	Source 1	(2) #2 – 600MCM	(1) #14 – 1/0
	Load	(2) #2 – 600MCM	
	Neutral	(2) #2 – 600MCM	
800A	Source 1	(4) 300 – 750MCM	(1) #6 – 250MCM
	Load	(4) 300 – 750MCM	
	Neutral	(4) 300 – 750MCM	
1200A	Source 1	(4) 300 – 750MCM	(1) #6 – 250MCM
	Load	(4) 300 – 750MCM	
	Neutral	(4) 300 – 750MCM	
1600A	Source 1	(5) 300 – 750MCM	(4) #6 – 350MCM
	Load	(5) 300 – 750MCM	
	Neutral	(5) 300 – 750MCM	
2000A	Source 1	(6) 300 – 750MCM	(4) #6 – 350MCM
	Load	(6) 300 – 750MCM	
	Neutral	(6) 300 – 750MCM	
3200A	Source 1	(8) 300 – 750MCM	(4) #6 – 350MCM
	Load	(8) 300 – 750MCM	
	Neutral	(8) 300 – 750MCM	
4000A	Source 1	(12) 300 – 750MCM	(4) #6 – 350MCM
	Load	(12) 300 – 750MCM	
	Neutral	(12) 300 – 750MCM	

Contact Us

Lake Shore Electric, LLC.
5 Hemisphere Way
Bedford, OH 44146

Phone: 440.232.0200

E-Mail: Sales@lake-shore-electric.com

www.lseconnect.com/qc3

The information contained in this document is for general information purposes only. While Lake Shore Electric strives to keep the information up to date and correct, it makes no representations or warranties of any kind, express or implied, about the completeness, accuracy, reliability, suitability, or availability with respect to the information, products, services, or related graphics contained in the document for any purpose. Any reliance placed on such information is therefore strictly at your own risk. Lake Shore Electric reserves the right to discontinue any product or service at any time.

