

UTILITY TRANSFORMER METERING CABINET

46x30x14 ENCLOSURE, 600VAC, TYPE 3R



FEATURES

- Removable cover with (2) stainless steel handles
- Cover secured with (4) 1/4-20 Torx head fasteners
- (2) Stainless steel padlockable tabs with (1) 5/16" hole, and (1) 1/8" utility seal hole
- (3) Utility specified CT mounting plates with (16) ea: square head bolts, washers, and nuts
- Drip-shield top and seam-free sides and back
- No gasketing or knockouts
- Ground lug provided, 2-14 AWG, single conductor

APPLICATION

Lake Shore Electric's Florida Power & Light approved utility transformer metering cabinet provides Type 3R protection and includes a factory installed rail and mounting system per utility specification.



Industry Standard:

UL 414 Listed; Type 3R
File No. E240038

PRODUCT SPECIFICATION

Utility Co.	Installation	Electrical Specifications	Dimensions (H x W x D)	Lb	Lug Size
Florida Power & Light	Wall Mount	N/A	46 x 30 x 14	190	N/A

UTMC MODEL CODES

Model	Finish	Enclosure Material
UTMC-RC-463014-USN-3A-FPL-00	Gray Polyester Powder Coat; G90 Equivalent Protection	Hot Rolled Steel
UTMC-RC-463014-USN-3B-FPL-00	Mill Finish	Aluminum
UTMC-RC-463014-USN-3C-FPL-00	Mill Finish	304 Stainless Steel
UTMC-RC-463014-USN-3D-FPL-00	Mill Finish	316 Stainless Steel

LEG KITS

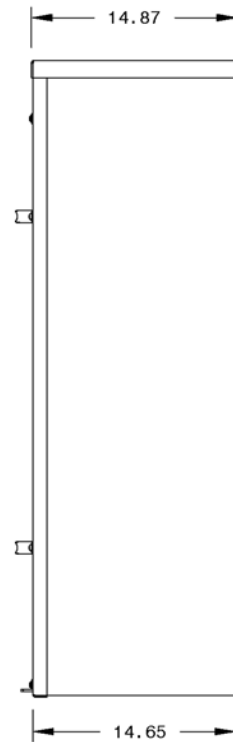
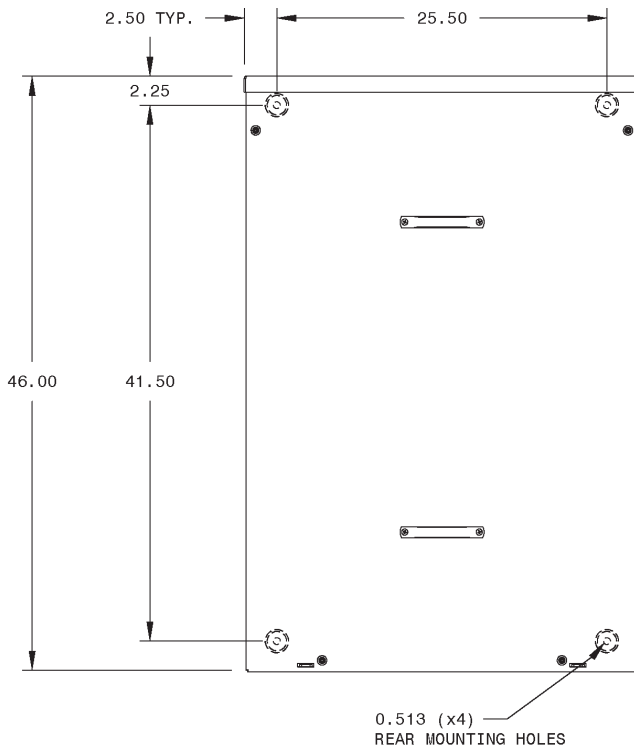
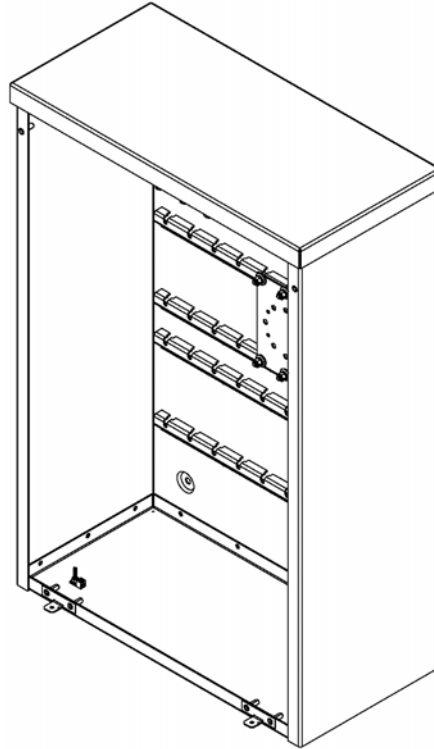
Model	Finish	Leg Kit Material
UTMC-LK-463014-3A	Gray Polyester Powder Coat; G90 Equivalent Protection	Hot Rolled Steel
UTMC-LK-463014-3C	Mill Finish	304 Stainless Steel
UTMC-LK-463014-3D	Mill Finish	316 Stainless Steel

Isecontrol.com/utmc



UTILITY TRANSFORMER METERING CABINET

46x30x14 ENCLOSURE, 600VAC, TYPE 3R



lsecontrol.com/utmc