

# UTILITY TRANSFORMER METERING CABINET

## 24x42x12 ENCLOSURE, 600VAC, TYPE 3R

### APPLICATION

Lake Shore Electric's Duquesne Light approved utility transformer metering enclosure provides Type 3R protection for a customer supplied backplate.



### Industry Standard:

UL 414 Listed; Type 3R  
File No. E240038



### FEATURES

- Overlapping double-door with 3-point latch and stainless steel lift-off hinges
- Stainless steel handle with padlock provisions
- Door stop
- Mounting provisions for customer supplied backplate
- Drip-shield top and seam-free sides
- No gasketing or knockouts
- Ground lug provided, 2-14 AWG, single conductor

### PRODUCT SPECIFICATION

Utility Co.	Installation	Electrical Specifications	Dimensions (H x W x D)	Lb	Lug Size
Duquesne Light	Wall Mount	N/A	24 x 42 x 12	165	N/A

### UTMC MODEL CODES

Model	Finish	Enclosure Material
UTMC-HD-244212-ECN-3A-DQL-00	Gray Polyester Powder Coat; G90 Equivalent Protection	Hot Rolled Steel
UTMC-HD-244212-ECN-3B-DQL-00	Mill Finish	Aluminum
UTMC-HD-244212-ECN-3C-DQL-00	Mill Finish	304 Stainless Steel
UTMC-HD-244212-ECN-3D-DQL-00	Mill Finish	316 Stainless Steel

### LEG KITS

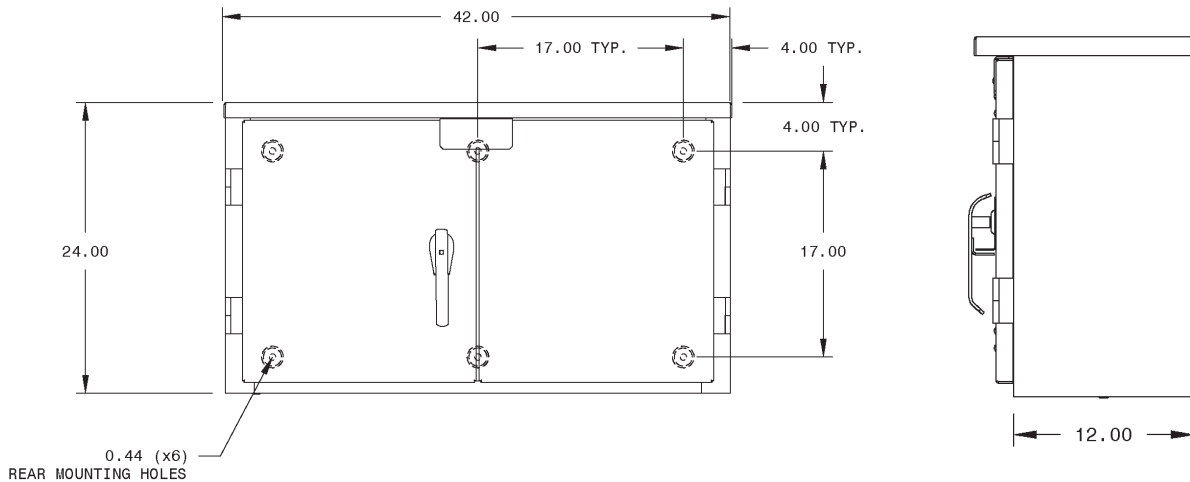
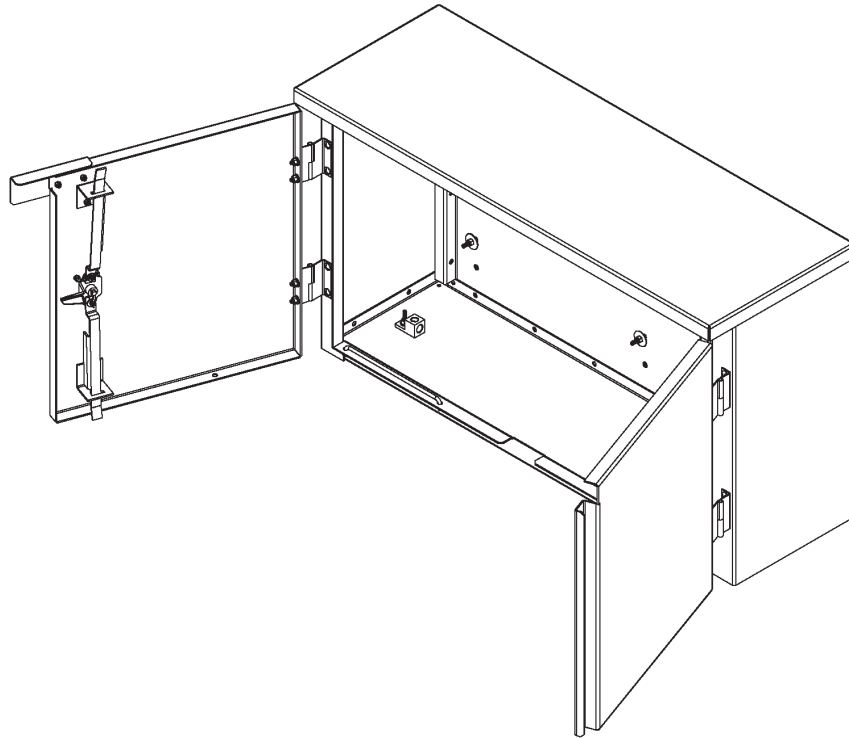
Model	Finish	Leg Kit Material
UTMC-LK-244212-3A	Gray Polyester Powder Coat; G90 Equivalent Protection	Hot Rolled Steel
UTMC-LK-244212-3C	Mill Finish	304 Stainless Steel
UTMC-LK-244212-3D	Mill Finish	316 Stainless Steel

[isecontrol.com/utmc](https://www.isecontrol.com/utmc)



# UTILITY TRANSFORMER METERING CABINET

24x42x12 ENCLOSURE, 600VAC, TYPE 3R



[lsecondrol.com/utmc](http://lsecondrol.com/utmc)