

UTILITY TRANSFORMER METERING CABINET

46x30x14 ENCLOSURE, 600VAC, TYPE 3R



FEATURES

- Removable cover with (2) stainless steel handle
- Cover secured with (4) 18-8 Torx screw fasteners
- (2) Stainless steel tabs with 5/16" hole
- (3) Utility specified CT mounting plates with (16) ea: square head bolts, washers, and nuts
- Drip-shield top and seam-free sides and back
- No gasketing or knockouts
- Ground lug provided, 2-14 AWG, single conductor

APPLICATION

Lake Shore Electrics Florida Power & Light approved utility transformer metering cabinet provides Type 3R protection and includes factory installed rail and mounting system per utility specification.

Industry Standards

UL 414 Listed; Type 3R;
File No. E240038



PRODUCT SPECIFICATIONS

| Specifications | Installation | Electrical Specifications | H | W | D | Lb | Lug Range |
|-----------------------|--------------|---------------------------|----|----|----|-----|-----------|
| Florida Power & Light | Wall Mount | N/A | 46 | 30 | 14 | 190 | N/A |

STANDARD PRODUCT

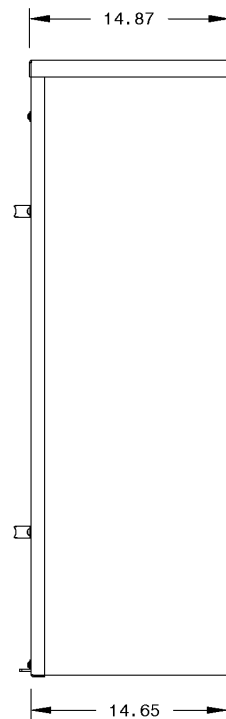
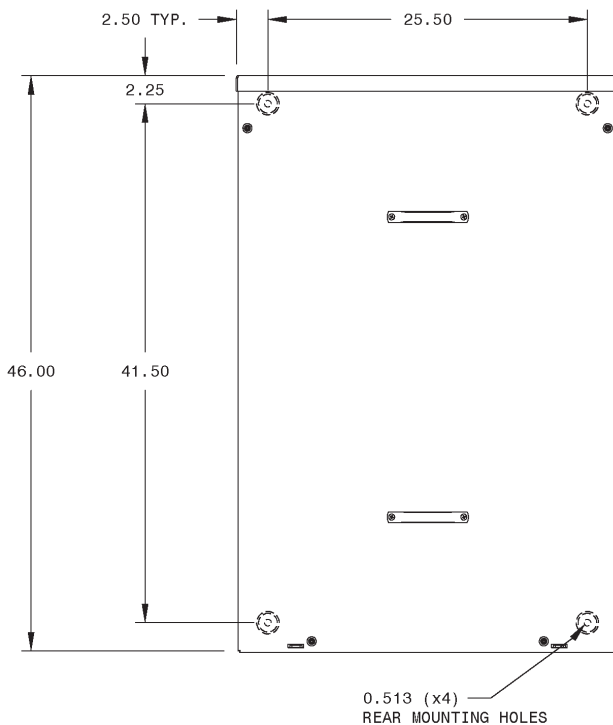
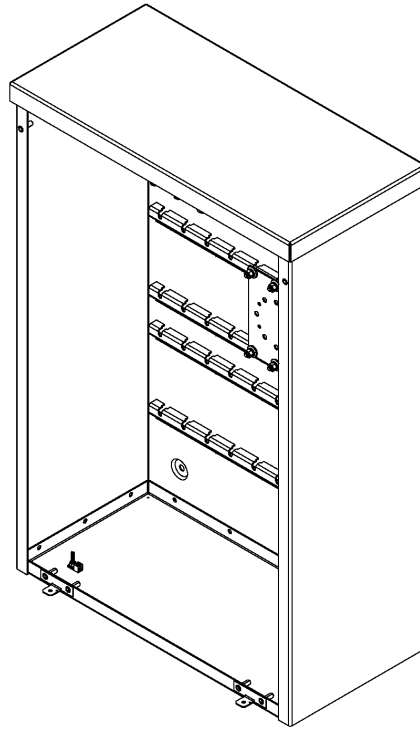
| Model | Finish | Enclosure Material |
|------------------------------|---|---------------------|
| UTMC-RC-463014-USN-3A-FPL-00 | Gray Polyester Powder Coat; G90 Equivalent Protection | Hot Rolled Steel |
| UTMC-RC-463014-USN-3B-FPL-00 | Mill Finish | Aluminum |
| UTMC-RC-463014-USN-3C-FPL-00 | Mill Finish | 304 Stainless Steel |
| UTMC-RC-463014-USN-3D-FPL-00 | Mill Finish | 316 Stainless Steel |

lsecontrol.com/utmc



UTILITY TRANSFORMER METERING CABINET

46x30x14 ENCLOSURE, 600VAC, TYPE 3R



lseccontrol.com/utmc