

# UTILITY TRANSFORMER METERING CABINET

1000-1200 AMP, 600VAC, TYPE 3R



## FEATURES

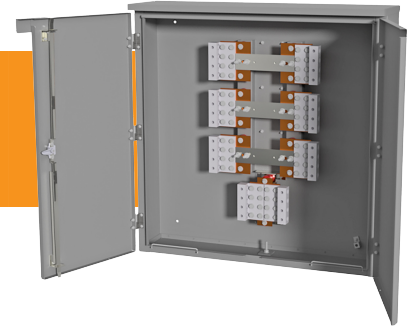
- Overlapping double-door with 3-point latch and stainless steel lift-off hinges
- Stainless steel handle with padlock provisions
- Door stop
- Window-type or bar-type current transformer
- Removable copper bus links
- Neutral pad with mechanical lugs
- Dual rated (Cu/Al) 600kcmil mechanical lugs
- Drip-shield top and seam-free sides and back
- No gasketing or knockouts
- Ground stud provided, 1/2 in. diameter

## APPLICATION

Lake Shore Electrics Duke Energy approved utility transformer metering cabinet provides Type 3R protection and includes factory installed bus for utility provided 1000-1200 amp metering equipment.

## Industry Standards

UL 414 Listed; Type 3R;  
File No. E240038



## PRODUCT SPECIFICATIONS

Specifications	Installation	Electrical Specifications	H	W	D	Lb	Lug Range
Duke Energy	Wall Mount	1000-1200 Amp, 50kAIC, 600V	48	48	12	315	(4) 2AWG - 600MCM Per Phase & Neutral

## STANDARD PRODUCT

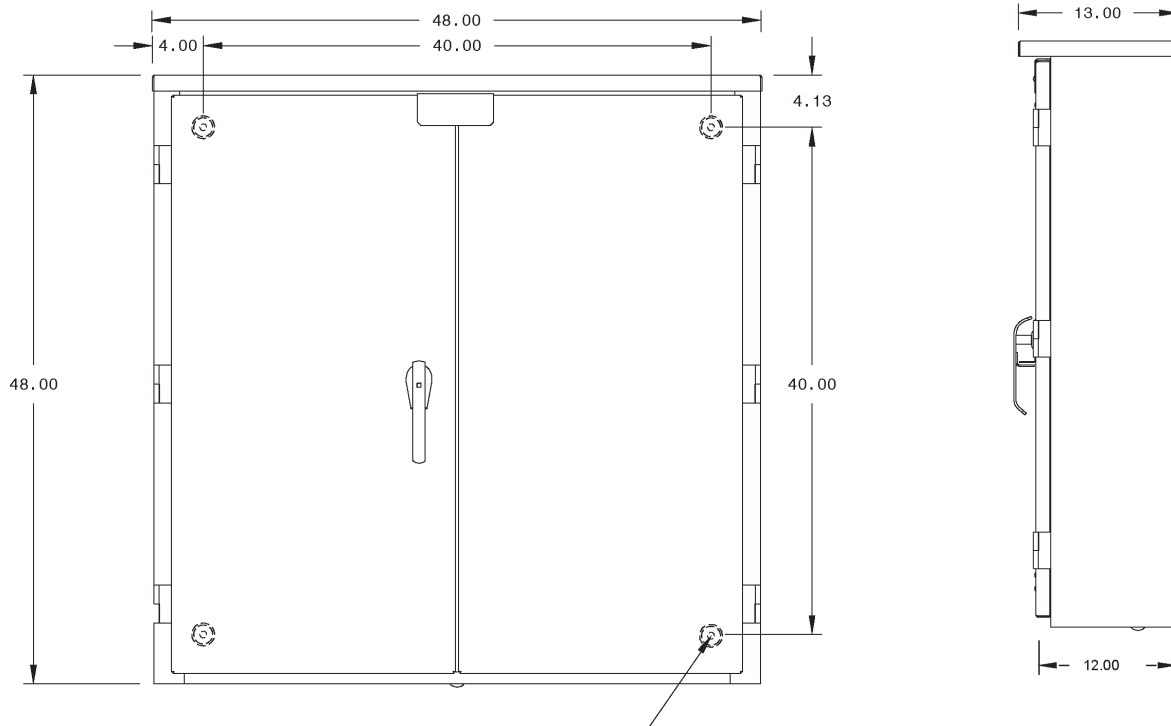
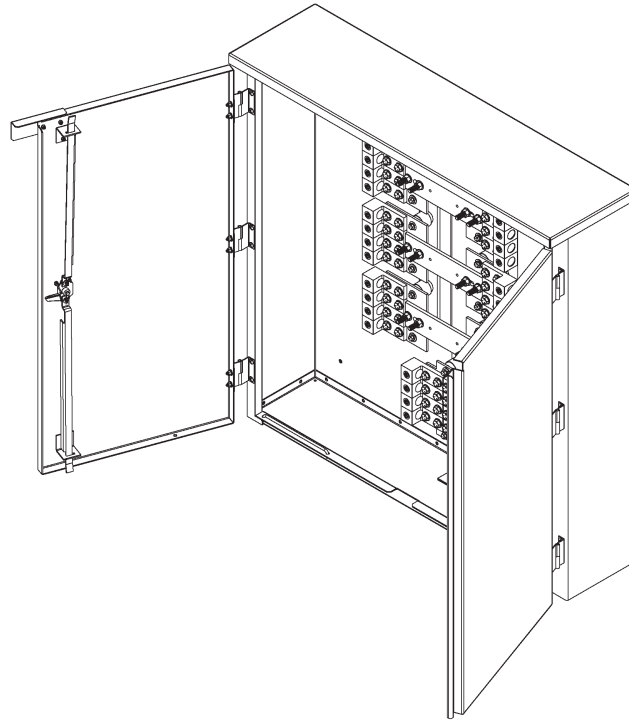
Model	Finish	Enclosure Material
UTMC-HD-484812-12M-3A-DUK-00	Gray Polyester Powder Coat; G90 Equivalent Protection	Hot Rolled Steel
UTMC-HD-484812-12M-3B-DUK-00	Mill Finish	Aluminum
UTMC-HD-484812-12M-3C-DUK-00	Mill Finish	304 Stainless Steel
UTMC-HD-484812-12M-3D-DUK-00	Mill Finish	316 Stainless Steel

[lseccontrol.com/utmc](http://lseccontrol.com/utmc)



# UTILITY TRANSFORMER METERING CABINET

1000-1200 AMP, 600VAC, TYPE 3R



[lsecontrol.com/utmc](http://lsecontrol.com/utmc)