

UTILITY TRANSFORMER METERING CABINET

800 AMP, 600VAC, TYPE 3R



FEATURES

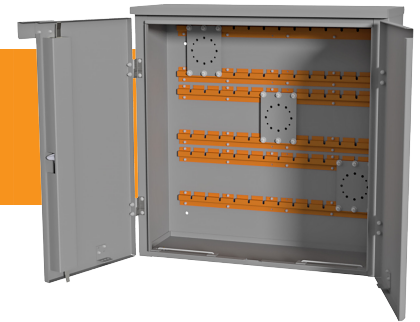
- Overlapping double-door with 3-point latch and stainless steel lift-off hinges
- Stainless steel handle with padlock provisions
- Door stop
- (3) Utility specified CT mounting plates with (16) ea: square head bolts, washers, and nuts
- Drip-shield top and seam-free sides and back
- No gasketing or knockouts
- Ground lug provided, 2-14 AWG, single conductor

APPLICATION

Lake Shore Electrics Duke Energy approved utility transformer metering cabinet provides Type 3R protection and includes factory installed rail and mounting system per utility specification for 800 amp metering equipment.

Industry Standards

UL 414 Listed; Type 3R;
File No. E240038



PRODUCT SPECIFICATIONS

Specifications	Installation	Electrical Specifications	H	W	D	Lb	Lug Range
Duke Energy	Wall Mount	800 Amp, 600V	40	40	14	100	N/A

STANDARD PRODUCT

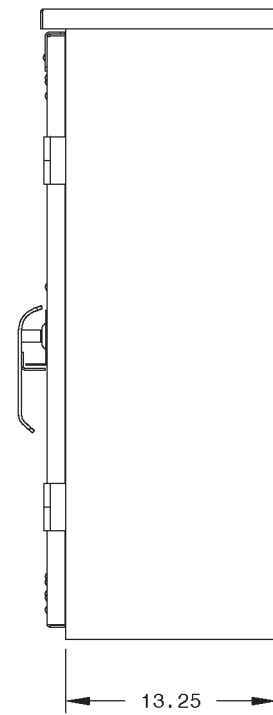
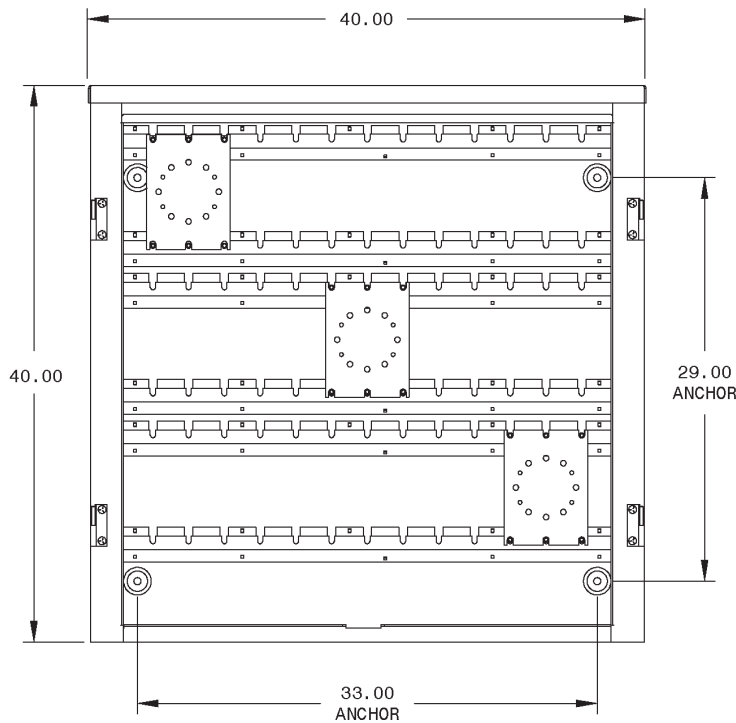
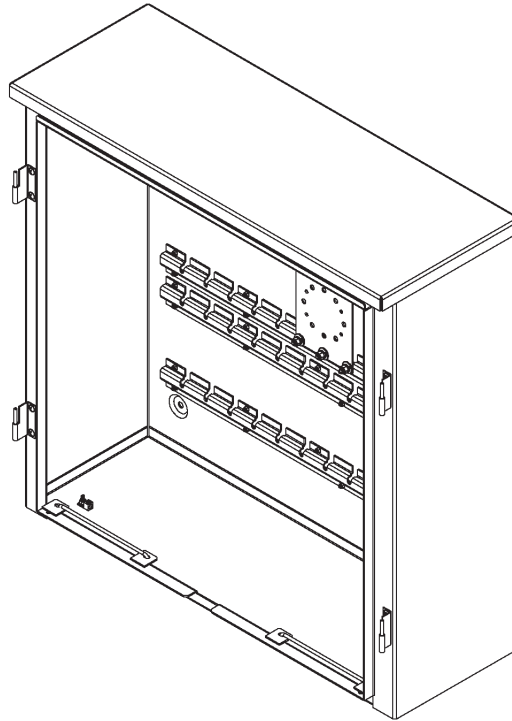
Model	Finish	Enclosure Material
UTMC-HD-404014-USN-3A-DUK-00	Gray Polyester Powder Coat; G90 Equivalent Protection	Hot Rolled Steel
UTMC-HD-404014-USN-3B-DUK-00	Mill Finish	Aluminum
UTMC-HD-404014-USN-3C-DUK-00	Mill Finish	304 Stainless Steel
UTMC-HD-404014-USN-3D-DUK-00	Mill Finish	316 Stainless Steel

lsecontrol.com/utmc



UTILITY TRANSFORMER METERING CABINET

800 AMP, 600VAC, TYPE 3R



lsecontrol.com/utmc