

UTILITY TRANSFORMER METERING CABINET

38x60x18 ENCLOSURE, 600VAC, TYPE 3R

APPLICATION

Lake Shore Electrics Duquesne Light approved utility transformer metering enclosure provides Type 3R protection for a customer supplied backplate.

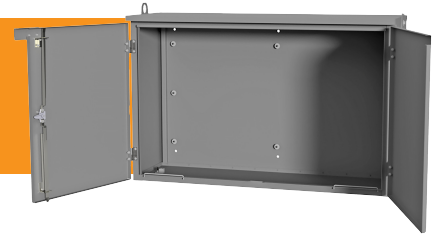


FEATURES

- Overlapping double-door with 3-point latch and stainless steel lift-off hinges
- Stainless steel handle with padlock provisions
- Door stop
- Mounting provisions for customer supplied backplate
- Drip-shield top and seam-free sides
- No gasketing or knockouts
- Ground lug provided, 2-14 AWG, single conductor

Industry Standards

UL 414 Listed; Type 3R;
File No. E240038



PRODUCT SPECIFICATIONS

Specifications	Installation	Electrical Specifications	H	W	D	Lb	Lug Range
Duquesne Light	Wall Mount	N/A	36	60	18	288	N/A

STANDARD PRODUCT

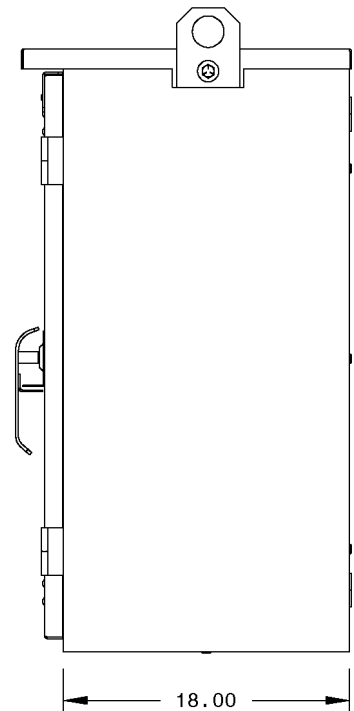
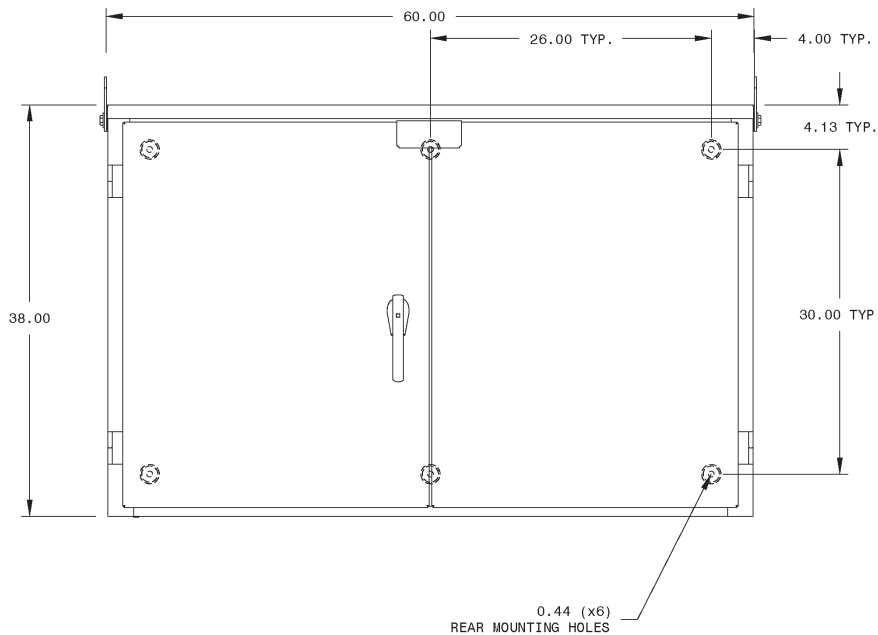
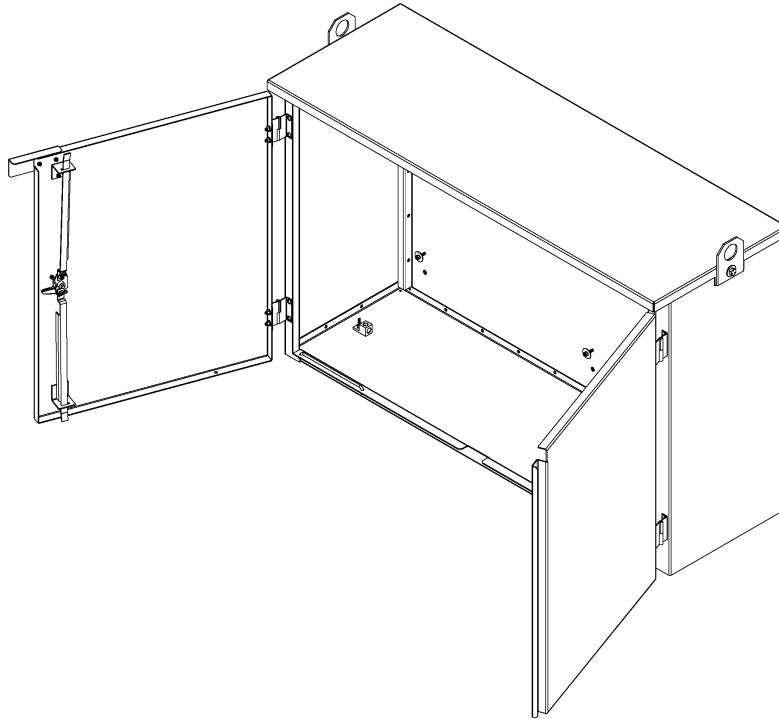
Model	Finish	Enclosure Material
UTMC-HD-386018-ECN-3A-DQL-00	Gray Polyester Powder Coat; G90 Equivalent Protection	Hot Rolled Steel
UTMC-HD-386018-ECN-3B-DQL-00	Mill Finish	Aluminum
UTMC-HD-386018-ECN-3C-DQL-00	Mill Finish	304 Stainless Steel
UTMC-HD-386018-ECN-3D-DQL-00	Mill Finish	316 Stainless Steel

lsecontrol.com/utmc



UTILITY TRANSFORMER METERING CABINET

38x60x18 ENCLOSURE, 600VAC, TYPE 3R



lsecontrol.com/utmc