

# UTILITY TRANSFORMER METERING CABINET

## 24x42x12 ENCLOSURE, 600VAC, TYPE 3R



### FEATURES

- Overlapping double-door with 3-point latch and stainless steel lift-off hinges
- Stainless steel handle with padlock provisions
- Door stop
- Mounting provisions for customer supplied backplate
- Drip-shield top and seam-free sides
- No gasketing or knockouts
- Ground lug provided, 2-14 AWG, single conductor

### APPLICATION

Lake Shore Electrics Duquesne Light approved utility transformer metering enclosure provides Type 3R protection for a customer supplied backplate.

### Industry Standards

UL 414 Listed; Type 3R;  
File No. E240038



### PRODUCT SPECIFICATIONS

| Specifications | Installation | Electrical Specifications | H  | W  | D  | Lb  | Lug Range |
|----------------|--------------|---------------------------|----|----|----|-----|-----------|
| Duquesne Light | Wall Mount   | N/A                       | 24 | 42 | 12 | 165 | N/A       |

### STANDARD PRODUCT

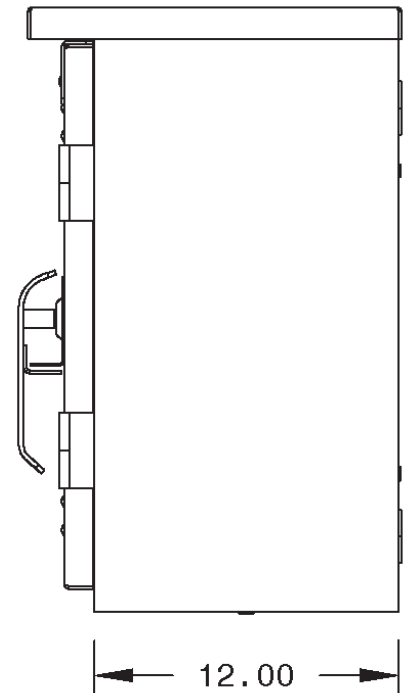
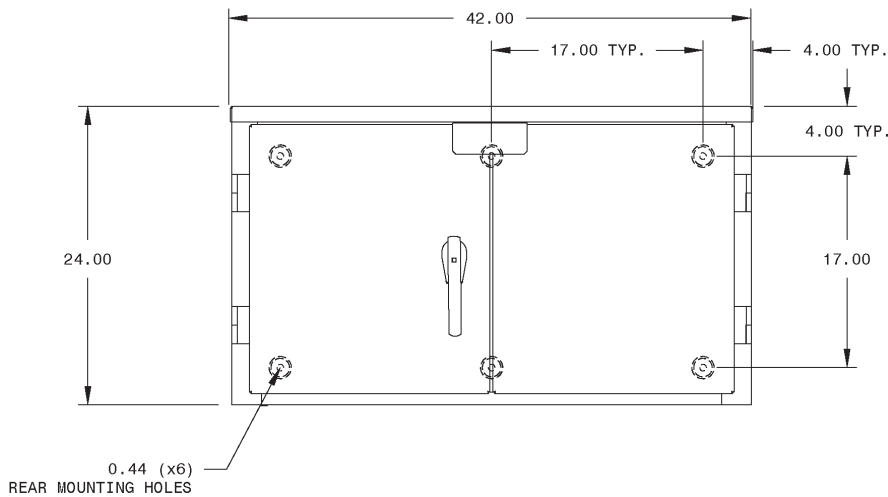
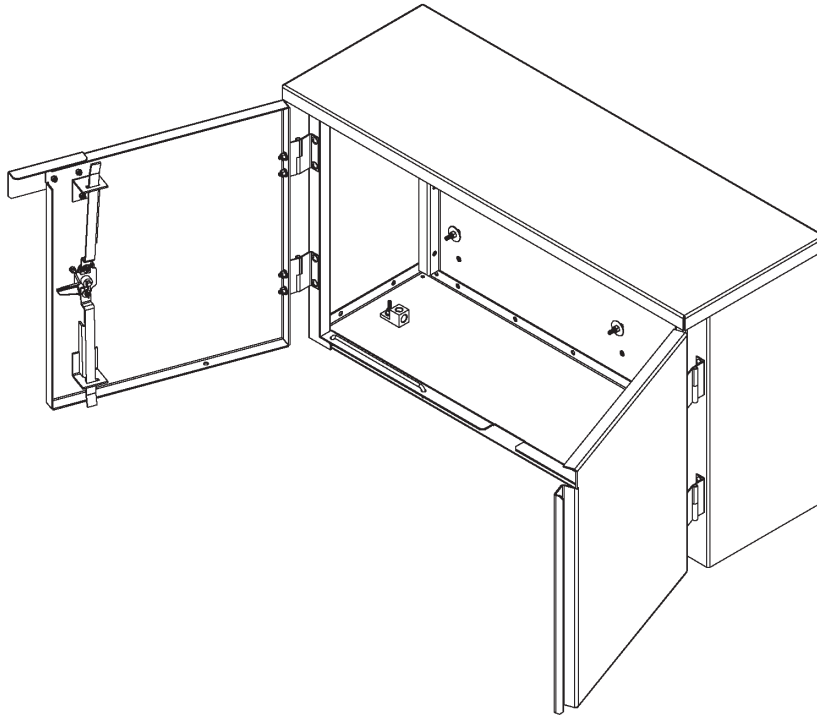
| Model                        | Finish  | Enclosure Material  |
|------------------------------|---|---------------------|
| UTMC-HD-244212-ECN-3A-DQL-00 | Gray Polyester Powder Coat; G90 Equivalent Protection | Hot Rolled Steel    |
| UTMC-HD-244212-ECN-3B-DQL-00 | Mill Finish   | Aluminum            |
| UTMC-HD-244212-ECN-3C-DQL-00 | Mill Finish   | 304 Stainless Steel |
| UTMC-HD-244212-ECN-3D-DQL-00 | Mill Finish   | 316 Stainless Steel |

[lseccontrol.com/utmc](http://lseccontrol.com/utmc)



# UTILITY TRANSFORMER METERING CABINET

24x42x12 ENCLOSURE, 600VAC, TYPE 3R



[lsecontrol.com/utmc](http://lsecontrol.com/utmc)