

TRANSFER

AFP FIRE PUMP AUTOMATIC TRANSFER SWITCH

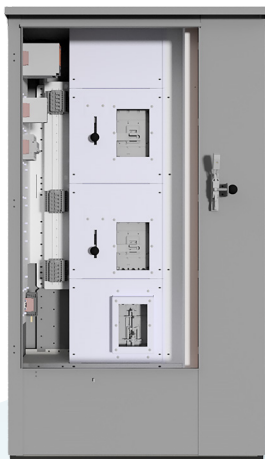
Effortless Integration in a Fire Protection Systems

Lake Shore Electric's Automatic Fire Pump Transfer Switch (AFP) was designed exclusively for use in a fire protection circuit and meets the requirements of NFPA 20 (Section 10.8.2.2 Arrangement II) as well as UL 1008. As an individually listed power transfer switch, the AFP can be used in both new and existing installations that have a standalone fire pump controller, ensuring seamless integration with any system.



Standard Features

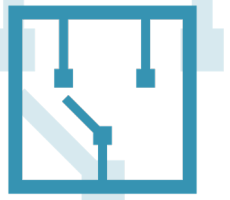
- 8600 Transfer Switch Controller
- Molded Case Switches
- Mechanically Interlocked Sources
- Externally Operable Isolation Switch
- Automatic & Manual Operation
- Engine Starting Contacts
- Audible & Visual Indicators
- Surge Suppression
- NEMA 3R Enclosure with Gray Powder Coat Finish
- Space Heater



Optional Accessories

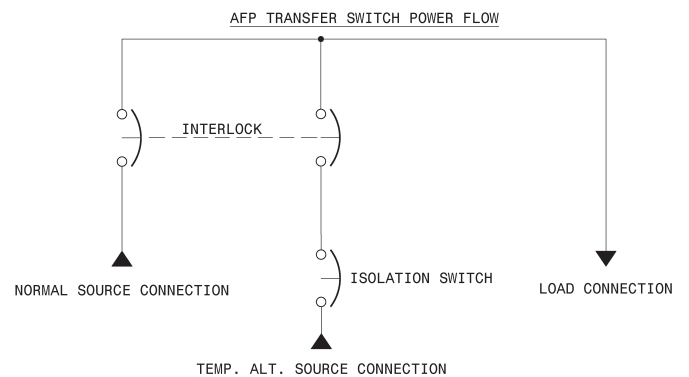
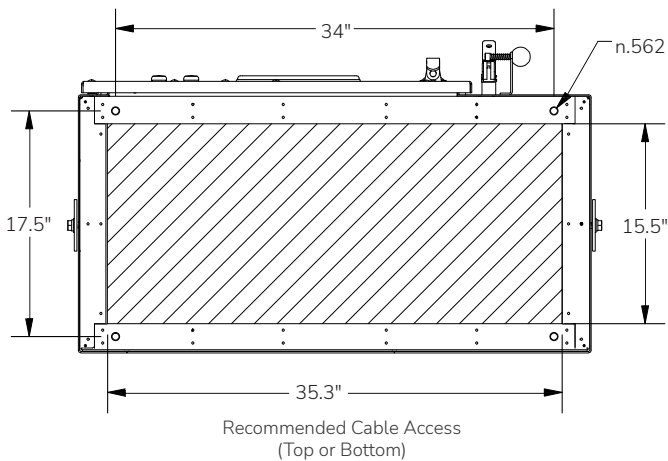
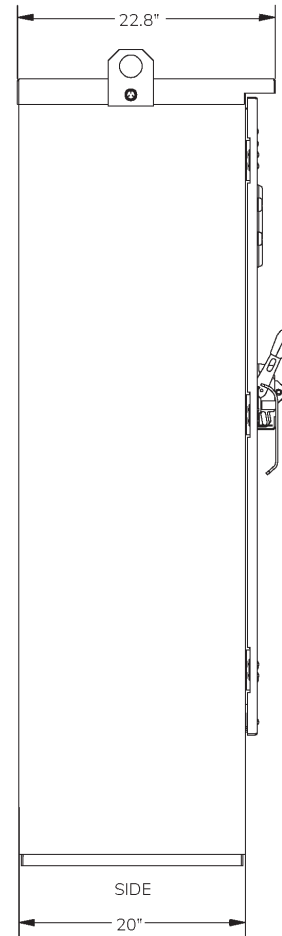
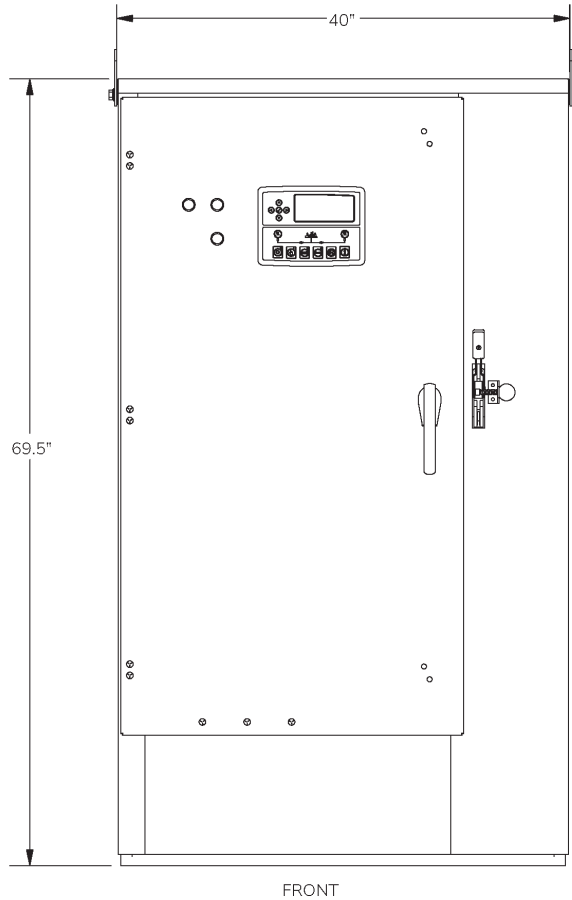
- Mechanical Lug Sizes
- Ethernet Communications Gateway

lsetransfer.com/afp



TRANSFER

AFP FIRE PUMP AUTOMATIC TRANSFER SWITCH



Isetransfer.com/afp

Global Headquarters
Lake Shore Electric
5 Hemisphere Way
Bedford, OH 44146 USA

Contact Information
P 440.232.0200 F 440.232.5644
sales@lake-shore-electric.com
www.lake-shore-electric.com



Publication No. BR0100103 V1.08.24