

NOTES:

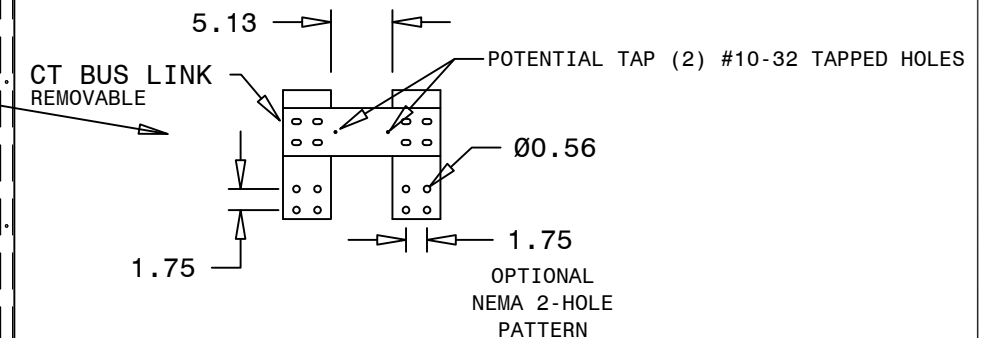
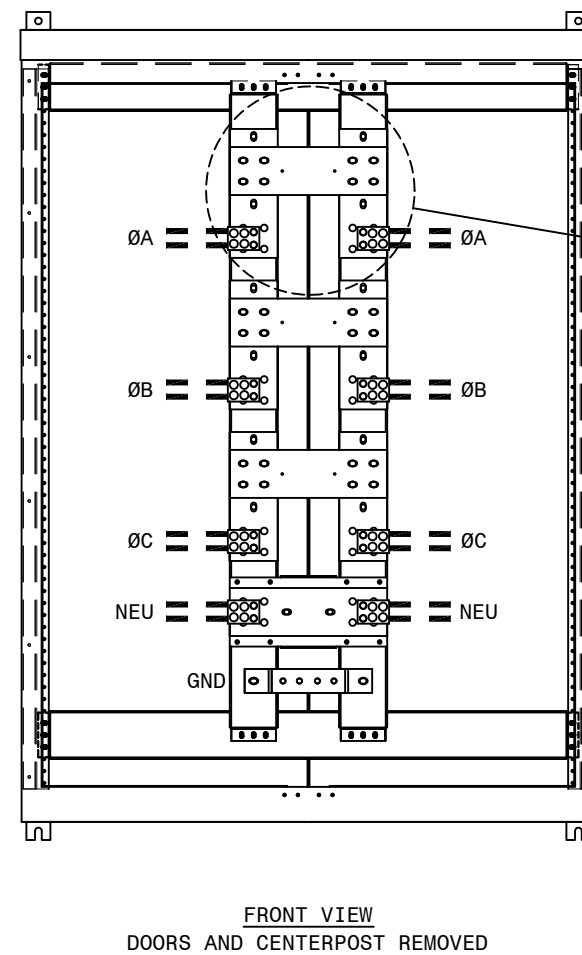
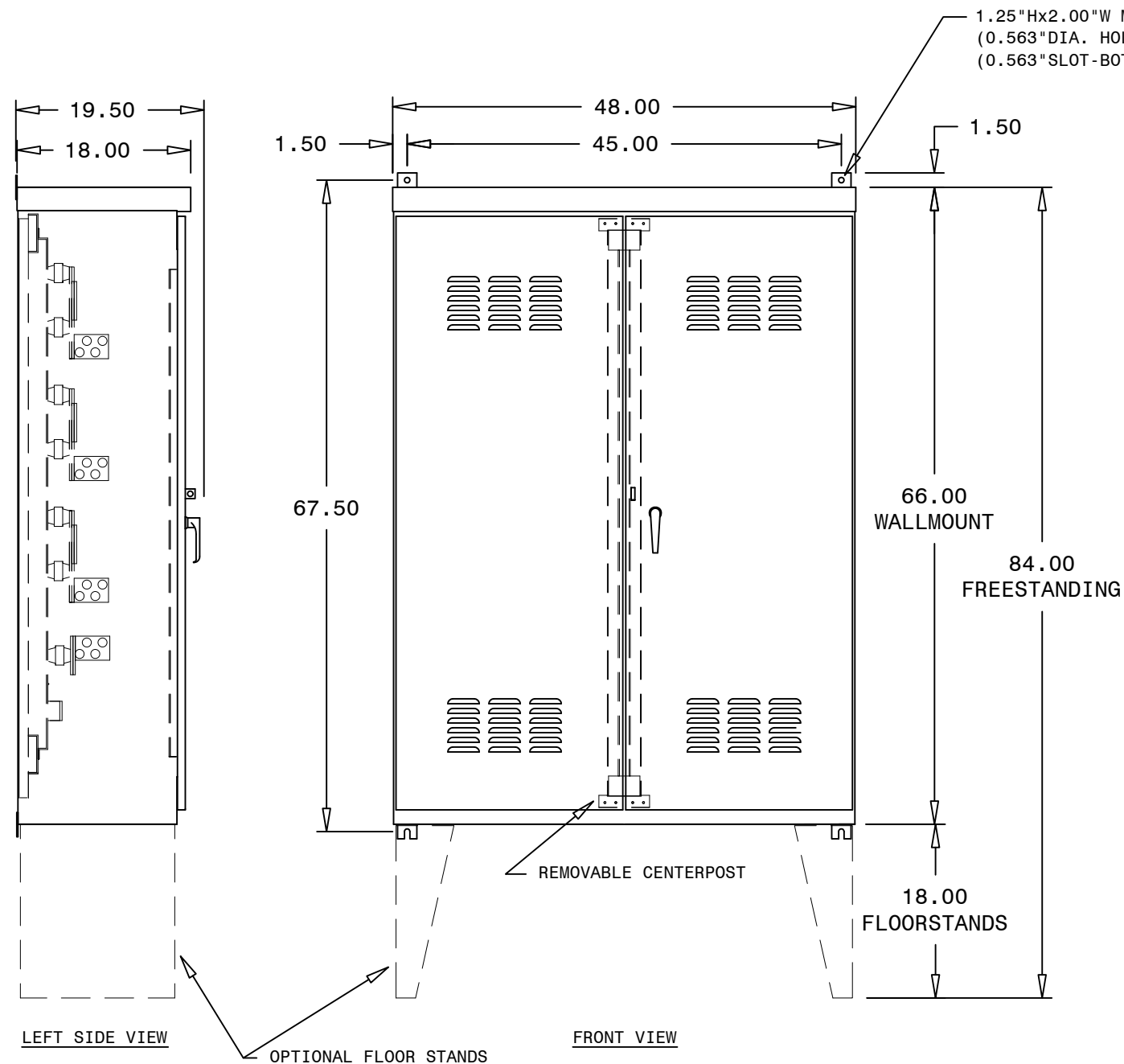
1. WALL MOUNTED ENCLOSURE (14 GA STEEL) FREE STANDING WITH OPTIONAL FLOOR STANDS
2. FINISH: ANSI 61 LIGHT GRAY (EXCEPT STAINLESS)
3. DOUBLE FRONT DOORS WITH STAINLESS STEEL HINGES
4. DOOR STOPS PROVIDED ON EACH DOOR
5. 3-POINT LATCHING PADLOCKABLE DOOR HANDLE
6. GASKETED DOOR (3R ONLY)
7. UTILITY SEAL PROVISION
8. ESTIMATED SYSTEM WEIGHT: 500 LBS
9. ALL DIMENSIONS EXPRESSED IN INCHES
10. SHORT CIRCUIT CURRENT RATING: 50KAIC (480V)
11. UL414 LISTED "METERING TRANSFORMER CABINET"
12. FIRST ENERGY FORM 115 (REV 2007) COMPLIANT

MECHANICAL LUGS:

1. (4) 4/0 - 500 MCM PER PHASE AND NEUTRAL

OPTIONAL NEMA 2 HOLE PATTERN:

1. (4) CABLES PER PHASE AND NEUTRAL



C	MECH LUG CABLE RANGE WAS 4/0-600MCM	BW	Bjw	02/19/15
B	WIRE RANGE LIMIT WAS 4/0-500MCM	Bjw	Bjw	11/18/10
A	PRODUCT RELEASE	JC	Bjw	04/28/08
REV	DESCRIPTION	BY	APV	DATE

LAKE SHORE ELECTRIC Corp
BEDFORD, OHIO U.S.A.

OUTLINE DWG, UTILITY METERING CABINET
MODEL SERIES MCTC, 1000-1200 AMPS

SCALE: 1:16 DRN: JC 7/25/2012 CHK: CC 7/25/2012 APV: BJW 7/25/2012

THIS DOCUMENT IS THE PROPERTY OF Lake Shore Electric Corporation. UNDER COPYRIGHT LAW, DISTRIBUTION AND REPRODUCTION OF THIS DOCUMENT, IN WHOLE OR IN PART, IS PROHIBITED WITHOUT PRIOR WRITTEN PERMISSION FROM Lake Shore Electric Corporation.

PROJ: -

CUSTOMER:	-	DWG NUMBER	UMC-MCTC0000-0	-
	-	QUOTE/JOB#:	-	PG 1 OF 1