

Automatic Transfer Switch Option Auxiliary Contact Switch Position

Introduction

This option provides two (2) sets of form “C” Contacts for each sources control unit (either a molded case or insulated case switch/breaker unit). These contacts will change state dependent on the position of their control unit.

Product Description for Microprocessor Controls (Option ACSP)

For this option, the automatic transfer switch (ATS) provides two (2) sets of form “C” Contacts for each control unit called SIN and SIE.

- **SIN** - Switch in Normal - This relay changes state when the switch is in the normal position. When the switch is not on the normal source, the contact is in the “de-energized” state.
- **SIE** - Switch in Emergency - This relay changes state when the switch is in the emergency position. When the switch is not on the emergency source, the contact is in the “de-energized” state.

These contacts provided immediate indication when the switch changes position.

This feature is available on all firmware versions for the microprocessor controller.

NOTES:

Automatic Transfer Switches with Microprocessor Controls - this is a standard feature.

Reference Figure 1 when connecting into the aux contacts on the Relay Interface Board.

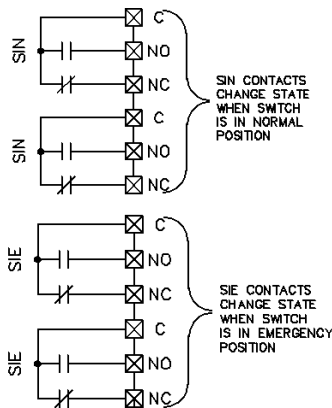


Figure 1

Product Description for Electromechanical Controls (Option 18 & 19), Available for Automatic or Manual Transfer Switches

For this option, the automatic transfer switch (ATS) provides two (2) sets of form “C” Contacts for each control unit called ACRN and ACRE.

- **ACRN (18)** - Aux Contact Relay on Normal - This relay changes state when the switch is in the normal position. When the switch is not on the normal source, the contact is in the “de-energized” state.
- **ACRE (19)** - Aux Contact Relay on Emergency - This relay changes state when the switch is in the emergency position. When the switch is not on the emergency source, the contact is in the “de-energized” state.

These contacts provided immediate indication when the switch changes position.

Reference Figure 2 when connecting into the aux contacts on the Electromechanical Control Panel.

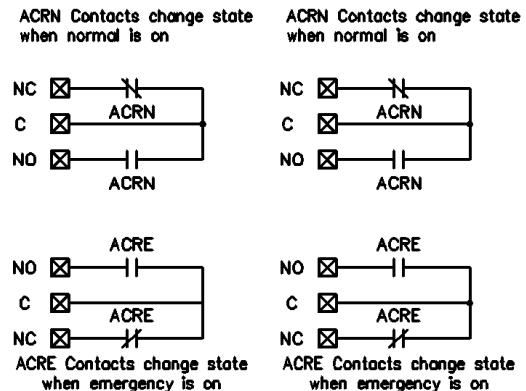


Figure 2

Order Guide

Part Number Examples:

1. ICFA32000BPSB - Insulated Case ATS, 3 pole, 2000 Amp, 120/208Vac, **24Vdc Microprocessor Controls**, 65kAIC @ 480Vac, NEMA 1 Free Standing Enclosure with included option ACSP.
2. MCDA30400CESA/18/19 - Molded Case ATS, 3 pole, 400 Amp, 277/480Vac, **Electromechanical Controls**, 35kAIC @ 480Vac, NEMA 1 Wall Mount Enclosure with Options 18 and 19.
3. MCDM30400CESA/18/19 - Molded Case MTS, 3 pole, 400 Amp, 277/480Vac, **Manual Transfer Switch**, 35kAIC @ 480Vac, NEMA 1 Wall Mount Enclosure with Options 18 and 19.