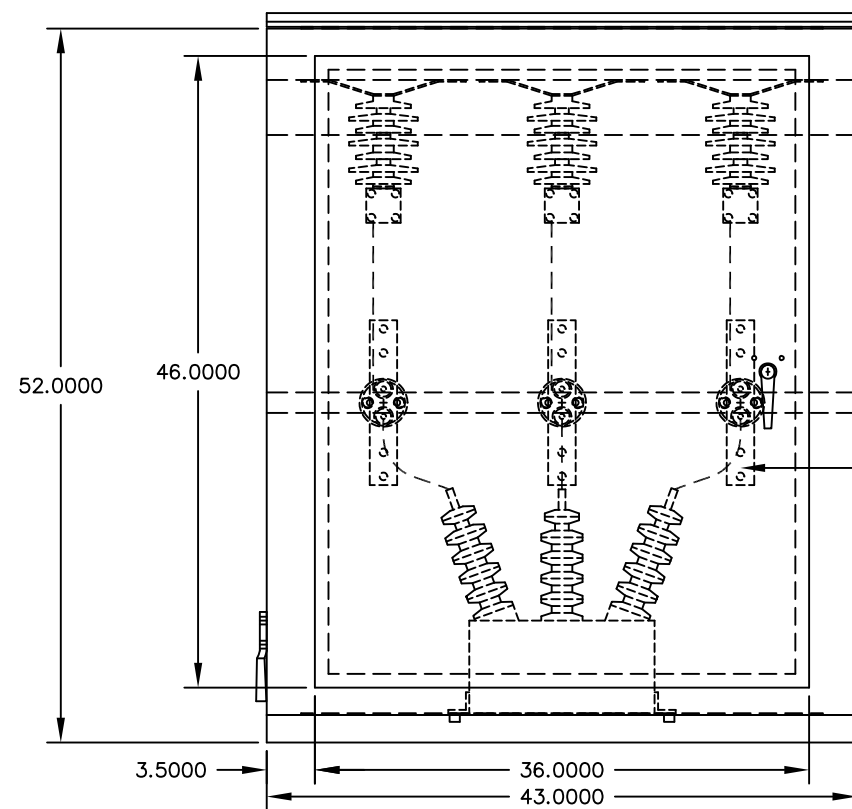
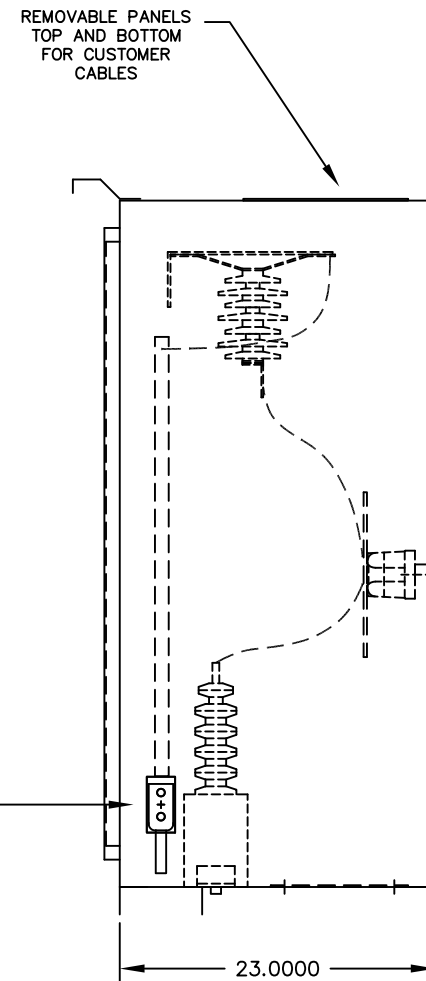


OUTLINE NOTES

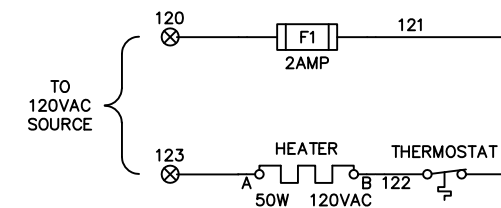
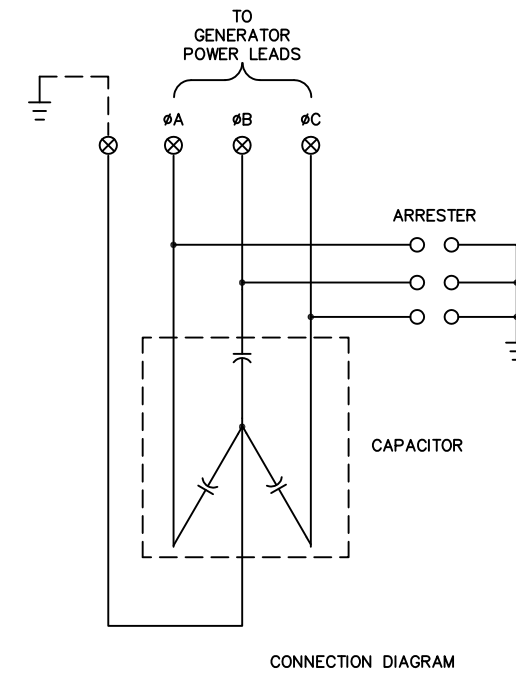
- 1) SPECIFICATIONS:
 - A) SURGE PROTECTOR IS FOR USE WITH
 - (1) GENERATOR SET AT 4160 VAC 3PHASE LINE TO LINE. WITH UNGROUNDED NEUTRAL.
 - B) NOMENCLATURE DISCRIPTIONS, IF NOT ON THIS DRAWING (REFER TO LAKE SHORE STANDARD NOMENCLATURE.
 - C) * = CUSTOMER SUPPLIED EQUIPMENT.
- 2) ENCLOSURE CONSTRUCTION:
 - A) NEMA 3R, FREE-STANDING, 11 GA. SHEET METAL WITH 1.5"x4" 7 GA. CHANNEL BASE.
 - B) (1) HINGED FRONT DOOR AND (2) REMOVABLE PANEL(S) IN TOP AND BOTTOM.
 - C) MOUNTING DIMENSIONS ARE ±.125" ALL OTHER DIMENSIONS ARE APPROXIMATE.
- 3) ENCLOSURE FINISH:
 - A) PRIMED AND PAINTED ANSI-61 LIGHT GRAY.




FRONT VIEW



SIDE VIEW



 LAKE SHORE ELECTRIC CORPORATION Bedford, Ohio U.S.A.		REVISIONS		BY	DATE
		SCALE .1=1	DATE 040199		
DR'N DJA		CK'D			
AP'VD					
TITLE GENERATOR SURGE PROTECTOR OUTLINE				NO. 60F4160	

CUSTOMER