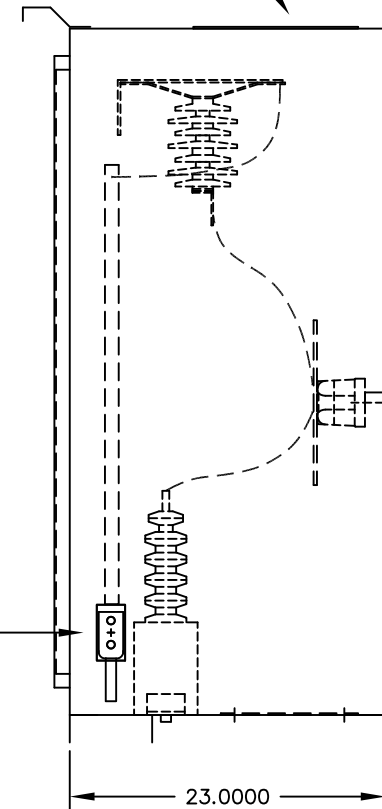


FRONT VIEW

NEMA 2 HOLE PATTERN FOR CUSTOMER CABLE CONNECTIONS FROM TOP OR BOTTOM

COPPER GROUND PAD ON EACH SIDE WITH GROUND LUGS.

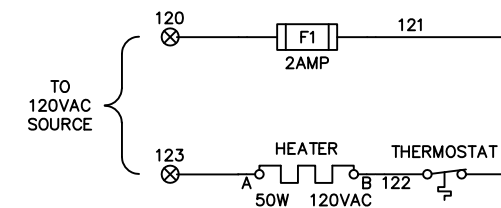
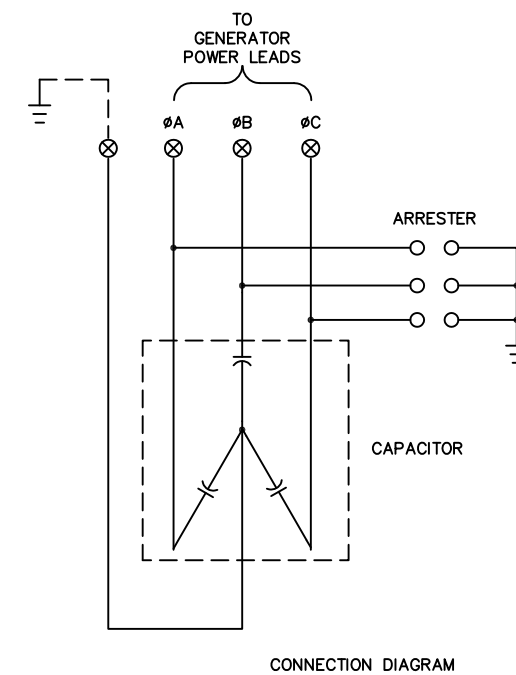
REMOVABLE PANELS TOP AND BOTTOM FOR CUSTOMER CABLES




SIDE VIEW

OUTLINE NOTES

- 1) SPECIFICATIONS:
 - A) SURGE PROTECTOR IS FOR USE WITH (1) GENERATOR SET AT 2400 VAC 3PHASE LINE TO LINE. WITH UNGROUNDED NEUTRAL.
 - B) NOMENCLATURE DISCRPTIONS, IF NOT ON THIS DRAWING (REFER TO LAKE SHORE STANDARD NOMENCLATURE.
 - C) * = CUSTOMER SUPPLIED EQUIPMENT.
- 2) ENCLOSURE CONSTRUCTION:
 - A) NEMA 3R, FREE-STANDING, 11 GA. SHEET METAL WITH 1.5"x4" 7 GA. CHANNEL BASE.
 - B) (1) HINGED FRONT DOOR AND (2) REMOVABLE PANEL(S) IN TOP AND BOTTOM.
 - C) MOUNTING DIMENSIONS ARE ±.125" ALL OTHER DIMENSIONS ARE APPROXIMATE.
- 3) ENCLOSURE FINISH:
 - A) PRIMED AND PAINTED ANSI-61 LIGHT GRAY.



CUSTOMER

 LAKE SHORE ELECTRIC CORPORATION Bedford, Ohio U.S.A.		REVISIONS		BY	DATE
		SCALE .1=1	DATE 040199		
DR'N DJA	CK'D				
AP'VD					
TITLE GENERATOR SURGE PROTECTOR OUTLINE				NO. 60F2400	