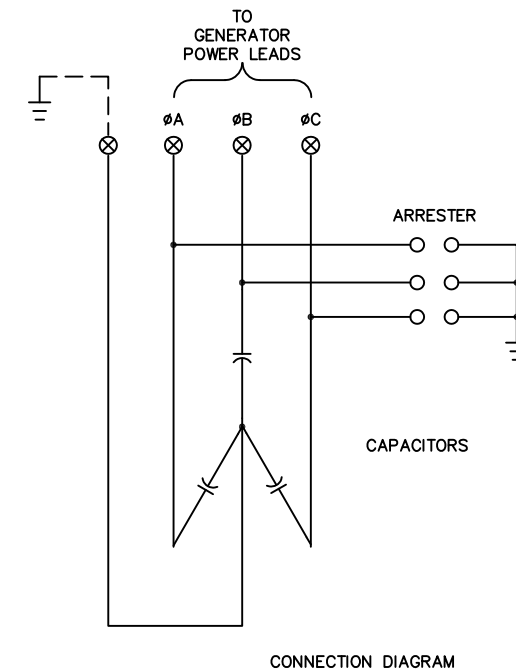
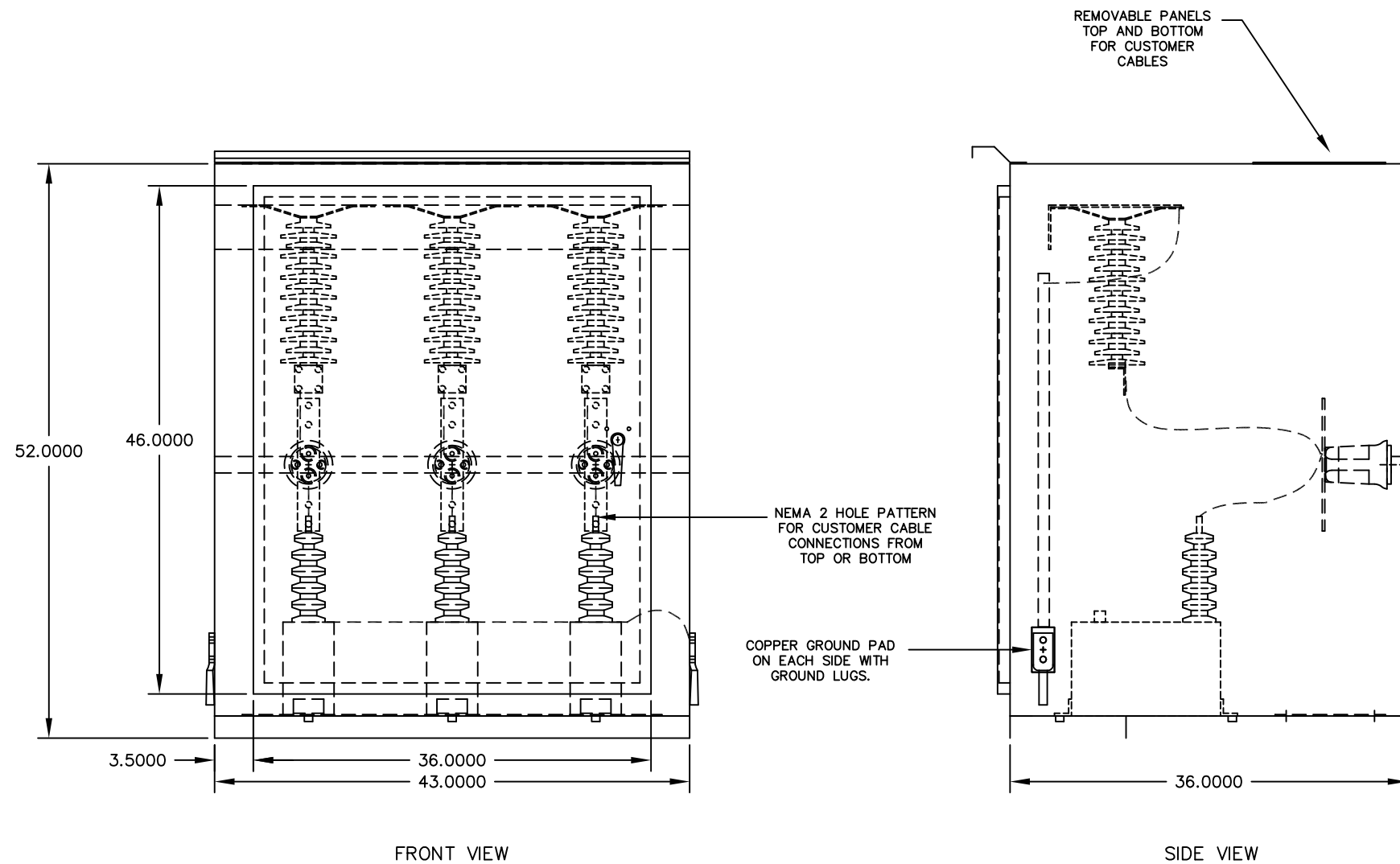
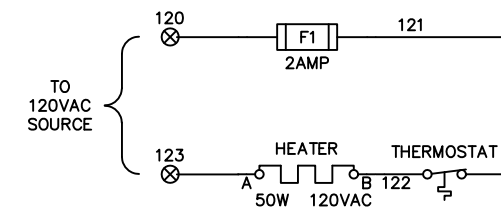



OUTLINE NOTES

- 1) SPECIFICATIONS:
 - A) SURGE PROTECTOR IS FOR USE WITH
 - (1) GENERATOR SET AT 13800 VAC 3PHASE LINE TO LINE. WITH UNGROUNDED NEUTRAL.
 - B) NOMENCLATURE DISCRIPTIONS, IF NOT ON THIS DRAWING (REFER TO LAKE SHORE STANDARD NOMENCLATURE.
 - C) * = CUSTOMER SUPPLIED EQUIPMENT.
- 2) ENCLOSURE CONSTRUCTION:
 - A) NEMA 3R, FREE-STANDING, 11 GA. SHEET METAL WITH 1.5"x4" 7 GA. CHANNEL BASE.
 - B) (1) HINGED FRONT DOOR AND (2) REMOVABLE PANEL(S) IN TOP AND BOTTOM.
 - C) MOUNTING DIMENSIONS ARE ±.125" ALL OTHER DIMENSIONS ARE APPROXIMATE.
- 3) ENCLOSURE FINISH:
 - A) PRIMED AND PAINTED ANSI-61 LIGHT GRAY.



CONNECTION DIAGRAM



 LAKE SHORE ELECTRIC CORPORATION Bedford, Ohio U.S.A.		REVISIONS		BY	DATE
SCALE	.1=1				
DATE	040199				
DR'N	DJA	CK'D			
AP'VD					
TITLE					NO.
GENERATOR SURGE PROTECTOR OUTLINE					60F13800

CUSTOMER