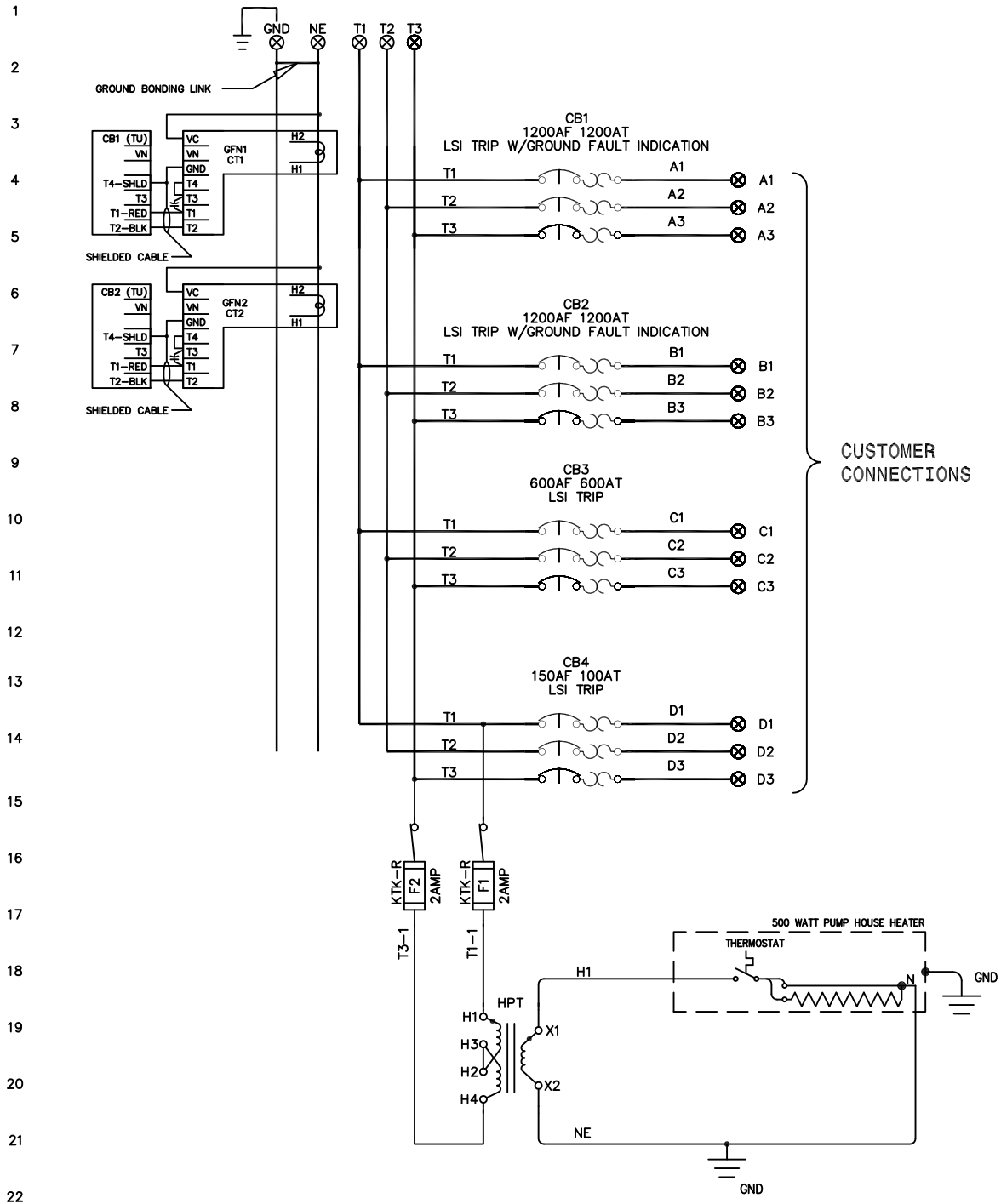
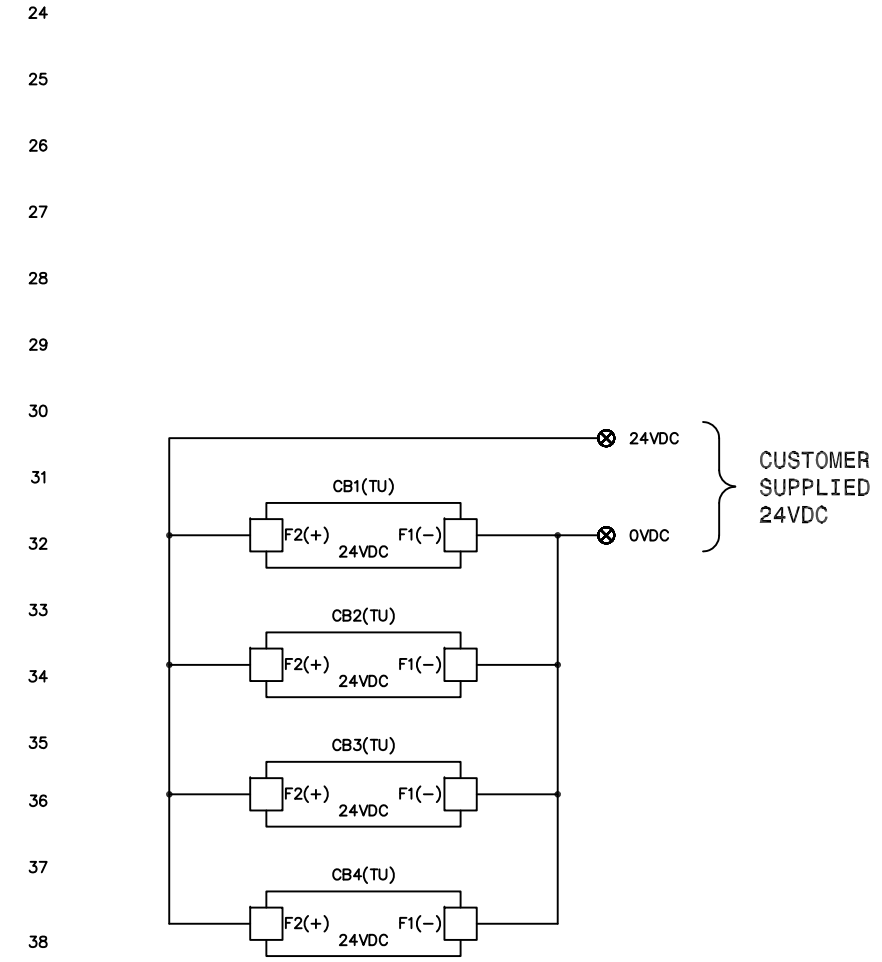


CUSTOMER CONNECTIONS
 277/480VAC 3PH 4W 60HZ
 1200A, 100% RATED COPPER BUS



AC SCHEMATIC



DC SCHEMATIC

- NOTES
- 1) RELAY & TIMER CONTACTS LOCATION:
 (LINE # = LOCATED IN DC SCHEMATIC)
 (WIRE #'S = LOCATED IN AC SCHEMATIC)
 - 2) NOMENCLATURE DESCRIPTIONS, IF NOT ON THIS DRAWING (REFER TO LAKE SHORE STANDARD NOMENCLATURE - ES103)
 - 3) COMPONENT LOCATION MARKER, USED WHEN LOCATED IN A DIFFERENT SECTION:
 (O = LOCATED OUTSIDE OF SECTION)
 - 4) CUSTOMER CONNECTION TERMINAL BLOCK (TB1)
 - 5) CUSTOMER CONNECTION TERMINAL BLOCK (LOCATED ON PC BOARD OR BLACK BOX)
 - 6) LAKE SHORE CONNECTION TERMINAL BLOCK (TB2 OR TB3)
 - 7) LAKE SHORE CONNECTION TERMINAL BLOCK (LOCATED ON PC BOARD OR BLACK BOX)
 - 8) LAKE SHORE SEC. TO SEC. TERMINAL BLOCK (TB4)
 - 9) LAKE SHORE SEC. TO SEC. TERMINAL BLOCK (LOCATED ON PC BOARD OR BLACK BOX)
 - 10) CUSTOMER ENGINE TERMINAL BLOCK (ETB)
 - 11) CUSTOMER WIRING
 - 12) CUSTOMER CABLING
 - 13) CUSTOMER SUPPLIED EQUIPMENT

NOTE: ALL WIRE TO BE #14 GAGE STD RED WIRE.

REV	DESCRIPTION	BY	APV	DATE
LAKE SHORE ELECTRIC Corp BEDFORD, OHIO U.S.A.				
1200 AMP SWITCHBOARD AC/DC SCHEMATIC				
SCALE:	NONE	DRN:	---	---/---/---
CHK:	---	APV:	---	---/---/---
<small>THIS DOCUMENT IS THE PROPERTY OF Lake Shore Electric Corporation. UNDER COPYRIGHT LAW, DISTRIBUTION AND REPRODUCTION OF THIS DOCUMENT, IN WHOLE OR IN PART, IS PROHIBITED WITHOUT PRIOR WRITTEN PERMISSION FROM Lake Shore Electric Corporation.</small>				
PROJ:	-			
CUSTOMER:	-	DWG NUMBER	XX2-XXXX-03	
	-	QUOTE/JOB#:	PG	OF
	-		1	1